



matteolighting.com  
info@matteolighting.com

Toll: 1 844 628 8368  
Tel: 604 560 5136

Canada: 100-1873 Forge Place Abbotsford, BC V2T 0L2  
USA: 6875 Speedway Blvd. Ste 106 Las Vegas, NV 89115

Project: \_\_\_\_\_

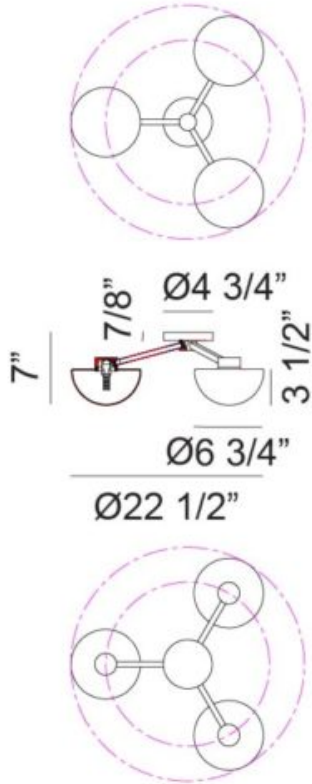
Company: \_\_\_\_\_

Location: \_\_\_\_\_ SPEC #: \_\_\_\_\_

Approved On: \_\_\_\_\_ Approved By: \_\_\_\_\_



## Flush Mounts



### Description

#### **GARDENA**

Sculptural simplicity meets warm contemporary style. Featuring a sleek linear frame in a rich Champagne Gold and Matte Black finish, the design is elevated by softly curved opal glass shades that diffuse light beautifully for a warm, inviting glow. The asymmetrical arm arrangement adds visual movement while maintaining a clean, balanced silhouette perfect for modern dining rooms, kitchens, and open living spaces.

## X43703MBOP

### Specifications

FINISH .....	Matte Black
SHADE .....	Opal Glass
SHADE DIMENSION .....	$\text{Ø}6\ 3/4'' \times 3\ 1/2''\text{H}$
DIMENSION .....	$\text{Ø}22\ 1/2'' \times 7''\text{H}$
LAMPING .....	3x10W LED G9 120V
CANOPY COLOR .....	Matte Black
CANOPY SIZE .....	$\text{Ø}4\ 3/4'' \times 7/8''\text{H}$
LOCATION .....	Dry
WARRANTY .....	1 year fixture warranty

### Notes