



matteolighting.com  
info@matteolighting.com

Toll: 1 844 628 8368  
Tel: 604 560 5136

Canada: 100-1873 Forge Place Abbotsford, BC V2T 0L2  
USA: 6875 Speedway Blvd. Ste 106 Las Vegas, NV 89115

Project: \_\_\_\_\_

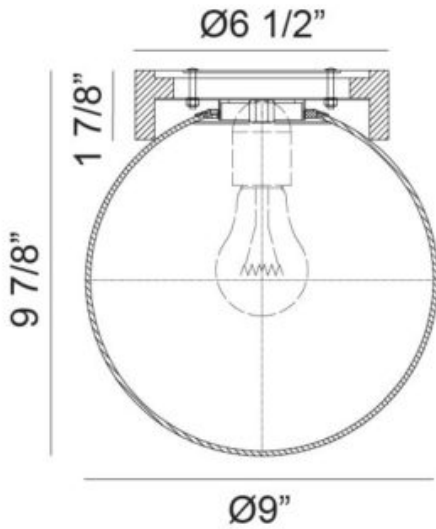
Company: \_\_\_\_\_

Location: \_\_\_\_\_ SPEC #: \_\_\_\_\_

Approved On: \_\_\_\_\_ Approved By: \_\_\_\_\_



## WALL SCONCE



### Description

#### **DUNE**

When natural texture and modern simplicity come together in this refined travertine stone pendant. The Dune series features a softly illuminated frosted glass shade suspended beneath a beautifully crafted stone-inspired holder. This fixture delivers an elevated organic aesthetic with contemporary appeal.

## WX44011WH

### Specifications

FINISH .....	Turkish Travertine
SHADE .....	Frosted Glass
SHADE DIMENSION .....	Ø9"
DIMENSION .....	Ø9" x 9 7/8"E
H/CTR .....	4 1/2"
LAMPING .....	1x10W LED Medium Base-E26 120V
CANOPY COLOR .....	White
CANOPY SIZE .....	Ø6 1/2" x 1 7/8"E
LOCATION .....	Dry
WARRANTY .....	1 year fixture warranty

### Notes