



matteolighting.com
info@matteolighting.com

Toll: 1 844 628 8368
Tel: 604 560 5136

Canada: 100-1873 Forge Place Abbotsford, BC V2T 0L2
USA: 6875 Speedway Blvd. Ste 106 Las Vegas, NV 89115

Project: _____

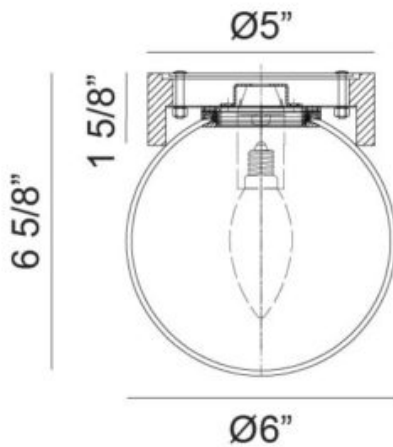
Company: _____

Location: _____ SPEC #: _____

Approved On: _____ Approved By: _____



WALL SCONCE



Description

DUNE

When natural texture and modern simplicity come together in this refined travertine stone pendant. The Dune series features a softly illuminated frosted glass shade suspended beneath a beautifully crafted stone-inspired holder. This fixture delivers an elevated organic aesthetic with contemporary appeal.

WX44001WH

Specifications

FINISH	Turkish Travertine
SHADE	Frosted Glass
SHADE DIMENSION	Ø6"
DIMENSION	Ø6" x 6 5/8"H
H/CTR	3"
LAMPING	1x40W Candelabra Base-E12 120V
CANOPY COLOR	White
CANOPY SIZE	Ø5" x 1 5/8"E
LOCATION	Dry
WARRANTY	1 year fixture warranty

Notes

