



matteolighting.com  
info@matteolighting.com

Toll: 1 844 628 8368  
Tel: 604 560 5136

Canada: 100-1873 Forge Place Abbotsford, BC V2T 0L2  
USA: 6875 Speedway Blvd. Ste 106 Las Vegas, NV 89115

Project: \_\_\_\_\_

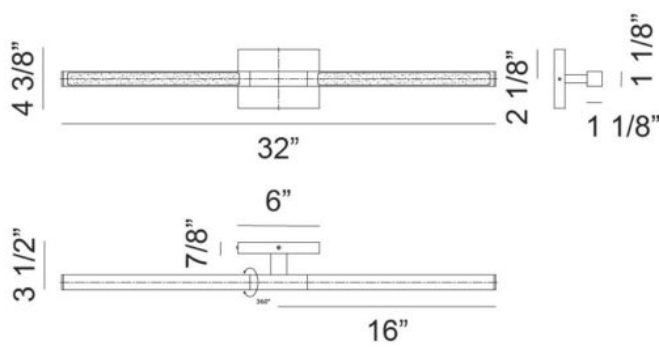
Company: \_\_\_\_\_

Location: \_\_\_\_\_ SPEC #: \_\_\_\_\_

Approved On: \_\_\_\_\_ Approved By: \_\_\_\_\_



WALL SCNCE



Description

**LINEAL**  
Bring architectural sophistication to modern interiors with the Lineal. Defined by its bold geometric arrangement and ultra-slim illuminated bars, this statement fixture blends sculptural design with functional brilliance. Integrated LED illumination delivers a clean, energy-efficient glow ideal for contemporary living and commercial spaces. Finished in sleek Brushed Nickel and Matte Black finish.

W43632MB

Specifications

FINISH .....	Matte Black
DIMENSION .....	2"W x 4 3/8"H x 3 1/2"E
H/CTR .....	2 1/8" or 16"
LAMPING .....	2 x 9W LED
INITIAL LUMEN .....	1800
DELIVER LUMEN .....	1260
CRI(RA) .....	90
LED AVERAGE RATED LIFE .....	50,000 hours
COLOR TEMP .....	2700K, 3000K, 3500K, 4000K or 5000K
CANOPY COLOR .....	Matte Black
CANOPY SIZE .....	6"W x 4 3/8"H x 7/8"E
LOCATION .....	Dry
WARRANTY .....	5 Years Warranty on LED Board

Notes

