



matteolighting.com
info@matteolighting.com

Toll: 1 844 628 8368
Tel: 604 560 5136

Canada: 100-1873 Forge Place Abbotsford, BC V2T 0L2
USA: 6875 Speedway Blvd. Ste 106 Las Vegas, NV 89115

Project: _____

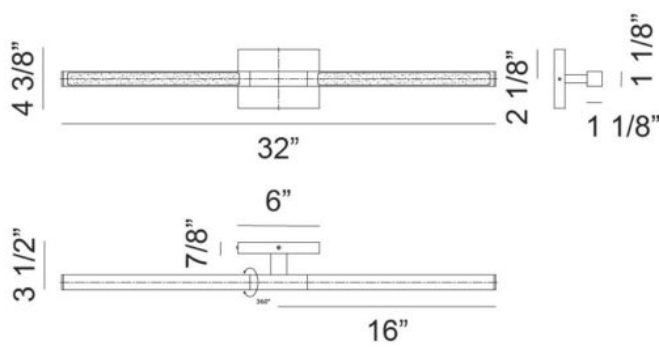
Company: _____

Location: _____ SPEC #: _____

Approved On: _____ Approved By: _____



WALL SCNCE



Description

LINEAL

Bring architectural sophistication to modern interiors with the Lineal. Defined by its bold geometric arrangement and ultra-slim illuminated bars, this statement fixture blends sculptural design with functional brilliance. Integrated LED illumination delivers a clean, energy-efficient glow ideal for contemporary living and commercial spaces. Finished in sleek Brushed Nickel and Matte Black finish.

W43632BN

Specifications

FINISH	Brushed Nickel
DIMENSION	32"W x 4 3/8"H x 3 1/2"E
H/CTR	2 1/8" or 16"
LAMPING	2 x 9W LED
INITIAL LUMEN	1800
DELIVER LUMEN	1260
CRI(RA)	90
LED AVERAGE RATED LIFE	50,000 hours
COLOR TEMP	2700K, 3000K, 3500K, 4000K or 5000K
CANOPY COLOR	Brushed Nickel
CANOPY SIZE	6"W x 4 3/8"H x 7/8"E
LOCATION	Dry
WARRANTY	5 Years Warranty on LED Board

Notes

