



matteolighting.com
info@matteolighting.com

Toll: 1 844 628 8368
Tel: 604 560 5136

Canada: 100-1873 Forge Place Abbotsford, BC V2T 0L2
USA: 6875 Speedway Blvd. Ste 106 Las Vegas, NV 89115

Project: _____

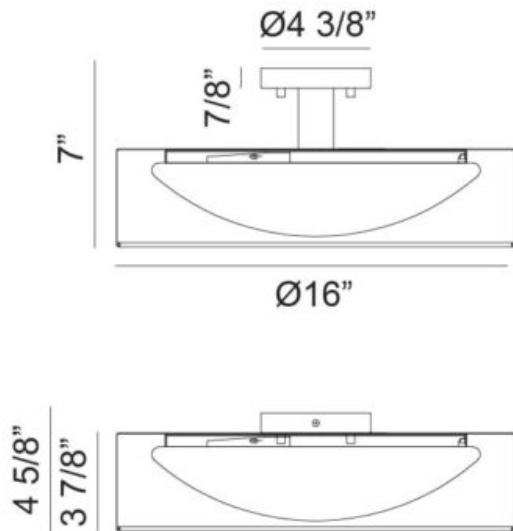
Company: _____

Location: _____ SPEC #: _____

Approved On: _____ Approved By: _____



Flush Mounts



Description

DAWSON

Bring understated sophistication to any interior with this modern drum-style ceiling light. Designed for convertible installation as either a flush mount or semi-flush mount, it offers flexible styling to suit a variety of ceiling heights and room designs. Available in Brushed Nickel, Matte Black, or Matte White, this fixture delivers a refined contemporary look while providing soft, even illumination for everyday living spaces. The wide cylindrical metal shade creates a bold architectural profile, while the integrated white diffuser gently softens the light output to reduce glare and create a warm, inviting atmosphere.

M21816MW

Specifications

FINISH	Matte White
SHADE	White Acrylic
DIMENSION	Ø16" x 7"H
LAMPING	1x30W LED Dimmable
INITIAL LUMEN	3000
DELIVER LUMEN	2098
CRI(RA)	90
LED AVERAGE RATED LIFE	50,000 hours
COLOR TEMP	2700K, 3000K, 3500K, 4000K or 5000K
CANOPY COLOR	Matte White
CANOPY SIZE	Ø4 3/8" x 7/8"
LOCATION	Dry
WARRANTY	5 years Warranty on LED Board

Notes