



matteolighting.com  
info@matteolighting.com

Toll: 1 844 628 8368  
Tel: 604 560 5136

Canada: 100-1873 Forge Place Abbotsford, BC V2T 0L2  
USA: 6875 Speedway Blvd. Ste 106 Las Vegas, NV 89115

Project: \_\_\_\_\_

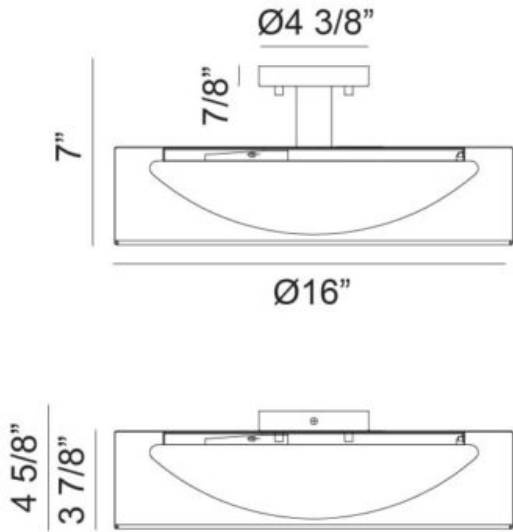
Company: \_\_\_\_\_

Location: \_\_\_\_\_ SPEC #: \_\_\_\_\_

Approved On: \_\_\_\_\_ Approved By: \_\_\_\_\_



## Flush Mounts



### Description

#### **DAWSON**

Bring understated sophistication to any interior with this modern drum-style ceiling light. Designed for convertible installation as either a flush mount or semi-flush mount, it offers flexible styling to suit a variety of ceiling heights and room designs. Available in Brushed Nickel, Matte Black, or Matte White, this fixture delivers a refined contemporary look while providing soft, even illumination for everyday living spaces. The wide cylindrical metal shade creates a bold architectural profile, while the integrated white diffuser gently softens the light output to reduce glare and create a warm, inviting atmosphere.

## M21816MB

### Specifications

FINISH .....	Matte Black
SHADE .....	White Acrylic
DIMENSION .....	Ø16" x 7"H
LAMPING .....	1x30W LED Dimmable
INITIAL LUMEN .....	3000
DELIVER LUMEN .....	2098
CRI(RA) .....	90
LED AVERAGE RATED LIFE .....	50,000 hours
COLOR TEMP .....	2700K, 3000K, 3500K, 4000K or 5000K
CANOPY COLOR .....	Matte Black
CANOPY SIZE .....	Ø4 3/8" x 7/8"
LOCATION .....	Dry
WARRANTY .....	5 years Warranty on LED Board

### Notes