



matteolighting.com  
info@matteolighting.com

Toll: 1 844 628 8368  
Tel: 604 560 5136

Canada: 100-1873 Forge Place Abbotsford, BC V2T 0L2  
USA: 6875 Speedway Blvd. Ste 106 Las Vegas, NV 89115

Project: \_\_\_\_\_

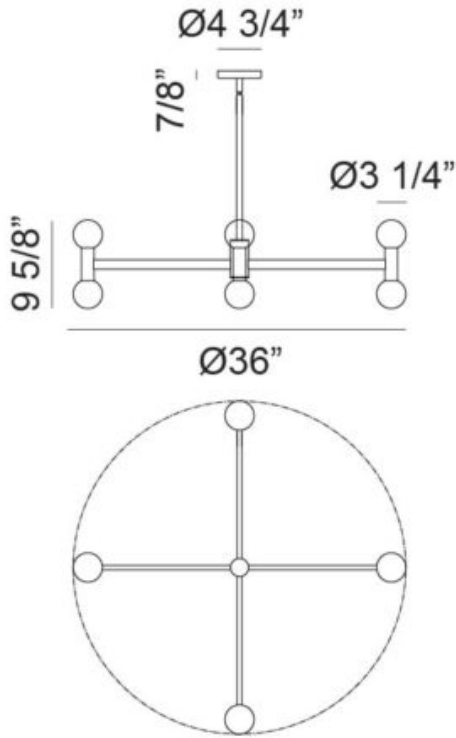
Company: \_\_\_\_\_

Location: \_\_\_\_\_ SPEC #: \_\_\_\_\_

Approved On: \_\_\_\_\_ Approved By: \_\_\_\_\_



## Chandelier



### Description

#### **INTERSTELLAR**

Create a bold contemporary statement with this striking multi-light Interstellar series family featuring a dynamic linear design and sophisticated Champagne Gold and Matte Black finish. Inspired by modern sculptural forms, this fixture combines clean geometric lines with softly glowing Opal glass globes to deliver both artistic style and functional illumination.

## C44108MBOP

### Specifications

FINISH .....	Matte Black
SHADE .....	Opal Glass
SHADE DIMENSION .....	Ø3 1/4"
DIMENSION .....	Ø36" x 9 5/8"H
LAMPING .....	8x10W LED G9 120V
CANOPY COLOR .....	Matte Black
CANOPY SIZE .....	Ø4 3/4" x 7/8"H
ROD LENGTH .....	42"(12"x3+6"x1)
WIRE LENGTH .....	120" Max
LOCATION .....	Dry
WARRANTY .....	1 year fixture warranty

### Notes