



matteolighting.com
info@matteolighting.com

Toll: 1 844 628 8368
Tel: 604 560 5136

Canada: 100-1873 Forge Place Abbotsford, BC V2T 0L2
USA: 6875 Speedway Blvd. Ste 106 Las Vegas, NV 89115

Project: _____

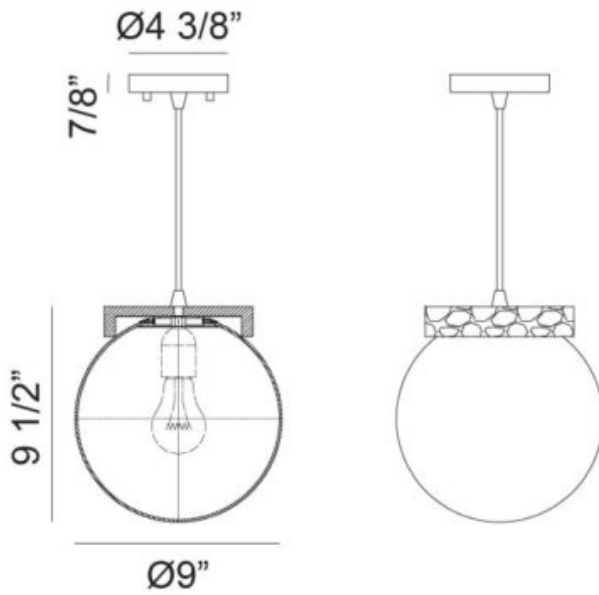
Company: _____

Location: _____ SPEC #: _____

Approved On: _____ Approved By: _____



Pendants



Description

DUNE

When natural texture and modern simplicity come together in this refined travertine stone pendant. The Dune series features a softly illuminated frosted glass shade suspended beneath a beautifully crafted stone-inspired holder. This fixture delivers an elevated organic aesthetic with contemporary appeal.

C44011WH

Specifications

FINISH	Turkish Travertine
SHADE	Frosted Glass
SHADE DIMENSION	Ø9"
CORD COLOR	White Fabric
DIMENSION	Ø9" x 9 1/2"H
LAMPING	1x10W LED Medium Base-E26 120V
CANOPY COLOR	White
CANOPY SIZE	Ø4 3/8" x 7/8"H
LOCATION	Dry
WARRANTY	1 year fixture warranty

Notes