



matteolighting.com
info@matteolighting.com

Toll: 1 844 628 8368
Tel: 604 560 5136

Canada: 100-1873 Forge Place Abbotsford, BC V2T 0L2
USA: 6875 Speedway Blvd. Ste 106 Las Vegas, NV 89115

Project: _____

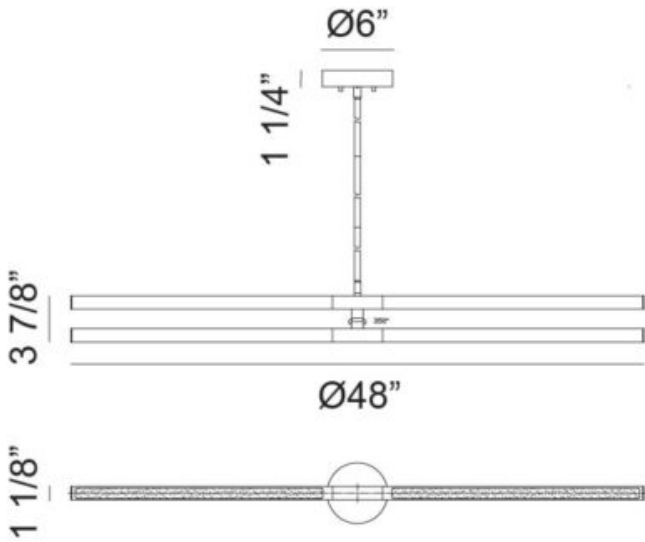
Company: _____

Location: _____ SPEC #: _____

Approved On: _____ Approved By: _____



Chandelier



Description

LINEAL

Bring architectural sophistication to modern interiors with the Lineal. Defined by its bold geometric arrangement and ultra-slim illuminated bars, this statement fixture blends sculptural design with functional brilliance. Integrated LED illumination delivers a clean, energy-efficient glow ideal for contemporary living and commercial spaces. Finished in sleek Brushed Nickel and Matte Black finish.

C43649MB

Specifications

FINISH	Matte Black
DIMENSION	Ø48" x 3 7/8"H
LAMPING	4 x 10W LED
INITIAL LUMEN	4000
DELIVER LUMEN	2800
CRI(RA)	90
LED AVERAGE RATED LIFE	50,000 hours
COLOR TEMP	2700K, 3000K, 3500K, 4000K or 5000K
CANOPY COLOR	Matte Black
CANOPY SIZE	Ø6" x 1 1/4"H
ROD LENGTH	42" (12"x3+6"x1)
LOCATION	Dry
WARRANTY	5 Years Warranty on LED Board

Notes

