



matteolighting.com  
info@matteolighting.com

Toll: 1 844 628 8368  
Tel: 604 560 5136

Canada: 100-1873 Forge Place Abbotsford, BC V2T 0L2  
USA: 6875 Speedway Blvd. Ste 106 Las Vegas, NV 89115

Project: \_\_\_\_\_

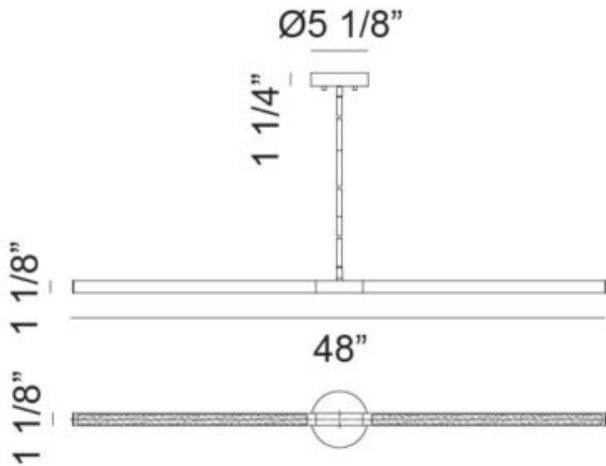
Company: \_\_\_\_\_

Location: \_\_\_\_\_ SPEC #: \_\_\_\_\_

Approved On: \_\_\_\_\_ Approved By: \_\_\_\_\_



## Chandelier



### Description

#### LINEAL

Bring architectural sophistication to modern interiors with the Lineal. Defined by its bold geometric arrangement and ultra-slim illuminated bars, this statement fixture blends sculptural design with functional brilliance. Integrated LED illumination delivers a clean, energy-efficient glow ideal for contemporary living and commercial spaces. Finished in sleek Brushed Nickel and Matte Black finish.

## C43648BN

### Specifications

FINISH .....	Brushed Nickel
DIMENSION .....	48"L x 1 1/8"W x 1 1/8"H
LAMPING .....	2 x 7W LED
INITIAL LUMEN .....	2000
DELIVER LUMEN .....	1400
CRI(RA) .....	90
LED AVERAGE RATED LIFE .....	50,000 hours
COLOR TEMP .....	2700K, 3000K, 3500K, 4000K or 5000K
CANOPY COLOR .....	Brushed Nickel
CANOPY SIZE .....	Ø5 1/8" x 1 1/4"H
ROD LENGTH .....	42" (12"x3+6"x1)
LOCATION .....	Dry
WARRANTY .....	5 Years Warranty on LED Board

### Notes

