



matteolighting.com
info@matteolighting.com

Toll: 1 844 628 8368
Tel: 604 560 5136

Canada: 100-1873 Forge Place Abbotsford, BC V2T 0L2
USA: 6875 Speedway Blvd. Ste 106 Las Vegas, NV 89115

Project: _____

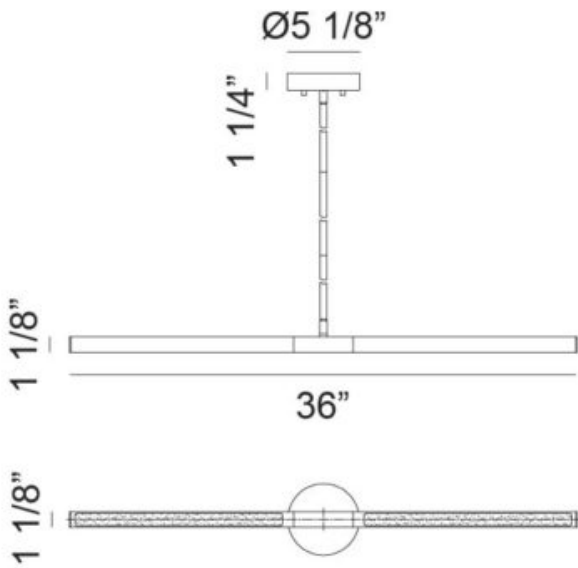
Company: _____

Location: _____ SPEC #: _____

Approved On: _____ Approved By: _____



Chandelier



Description

LINEAL

Bring architectural sophistication to modern interiors with the Lineal. Defined by its bold geometric arrangement and ultra-slim illuminated bars, this statement fixture blends sculptural design with functional brilliance. Integrated LED illumination delivers a clean, energy-efficient glow ideal for contemporary living and commercial spaces. Finished in sleek Brushed Nickel and Matte Black finish.

C43636MB

Specifications

FINISH	Matte Black
DIMENSION	36"L x 1 1/8"W x 1 1/8"H
LAMPING	2 x 7W LED
INITIAL LUMEN	1400
DELIVER LUMEN	980
CRI(RA)	90
LED AVERAGE RATED LIFE	50,000 hours
COLOR TEMP	2700K, 3000K, 3500K, 4000K or 5000K
CANOPY COLOR	Matte Black
CANOPY SIZE	Ø5 1/8" x 1 1/4"H
ROD LENGTH	42" (12"x3+6"x1)
LOCATION	Dry
WARRANTY	5 years Warranty on LED Board

Notes

