



matteolighting.com
info@matteolighting.com

Toll: 1 844 628 8368
Tel: 604 560 5136

Canada: 100-1873 Forge Place Abbotsford, BC V2T 0L2
USA: 6875 Speedway Blvd. Ste 106 Las Vegas, NV 89115

Project: _____

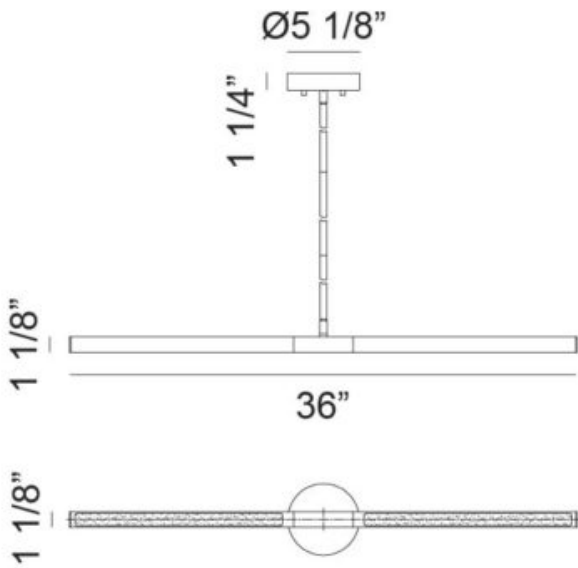
Company: _____

Location: _____ SPEC #: _____

Approved On: _____ Approved By: _____



Chandelier



Description

LINEAL

Bring architectural sophistication to modern interiors with the Lineal. Defined by its bold geometric arrangement and ultra-slim illuminated bars, this statement fixture blends sculptural design with functional brilliance. Integrated LED illumination delivers a clean, energy-efficient glow ideal for contemporary living and commercial spaces. Finished in sleek Brushed Nickel and Matte Black finish.

C43636BN

Specifications

| | |
|------------------------------|-------------------------------------|
| FINISH | Brushed Nickel |
| DIMENSION | 36"L x 1 1/8"W x 1 1/8"H |
| LAMPING | 2 x 7W LED |
| INITIAL LUMEN | 1400 |
| DELIVER LUMEN | 980 |
| CRI(RA) | 90 |
| LED AVERAGE RATED LIFE | 50,000 hours |
| COLOR TEMP | 2700K, 3000K, 3500K, 4000K or 5000K |
| CANOPY COLOR | Brushed Nickel |
| CANOPY SIZE | Ø5 1/8" x 1 1/4"H |
| ROD LENGTH | 42" (12"x3+6"x1) |
| LOCATION | Dry |
| WARRANTY | 5 Years Warranty on LED Board |

Notes

