

ETF-TD Series 96W

Whole Family: ETF24096TD [60W 96W]



ICES-005

Class P

Class 2

TYPE HL

SELV

RoHS



Features

| | |
|-------------------------|--|
| Dimming function: | Electronic Transformer Triac/ ELV/ MLV dimming |
| Dimming range: | 0-100% |
| Waterproof performance: | For dry and damp locations |
| Input: | 120VAC |
| THD: | THD<20%@120V Max. load |
| Output type: | Constant voltage |
| Small size: | 84x40x25 mm / 3.31x1.57x0.98 inch (L*W*H) |
| Loading: | Super low loading request, works perfectly at 20-100% load |
| Protections: | Short circuit / Over load |
| Compatibility: | Compatible with popular dimmers in the market, Lutron-CL, Diva series and so on. |
| Application: | <ul style="list-style-type: none"> • LED strip/ LED tape/ LED module • Residential Lighting • Commercial Lighting |
| Warranty: | 5 years warranty |

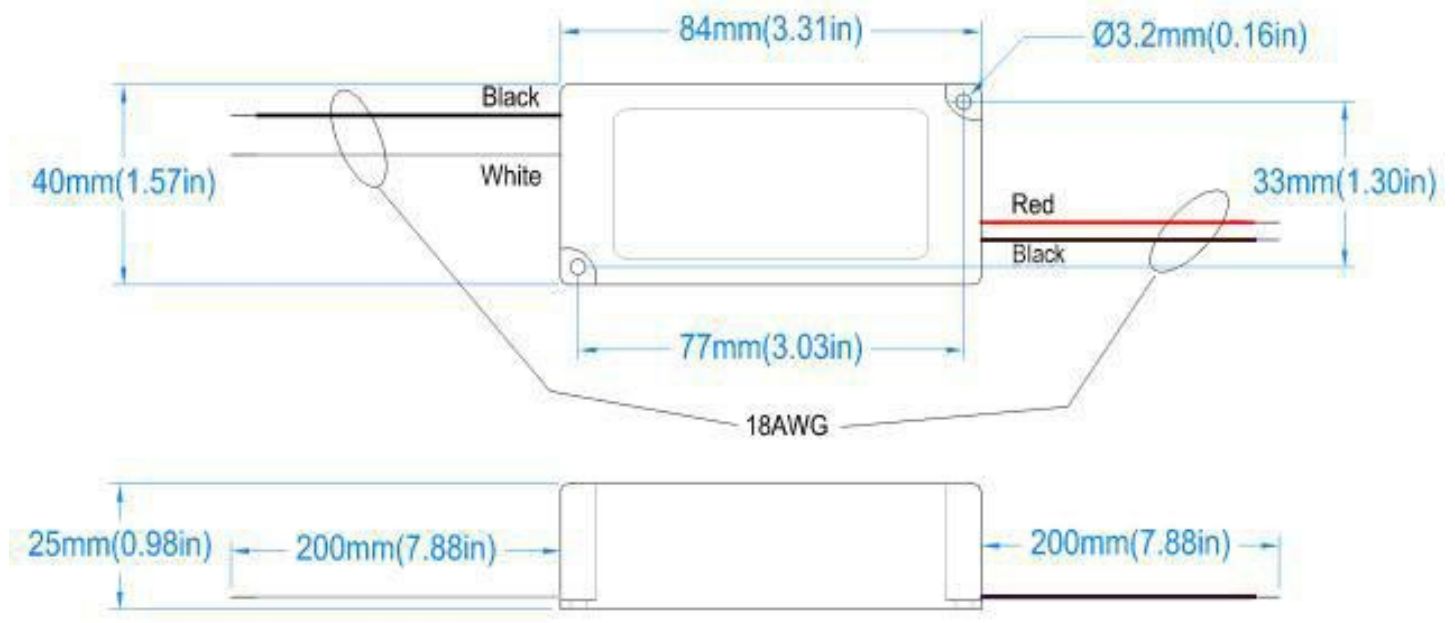


TRIAC ELV MLV Transformer - Constant Voltage Output - ETF-TD Series 96W

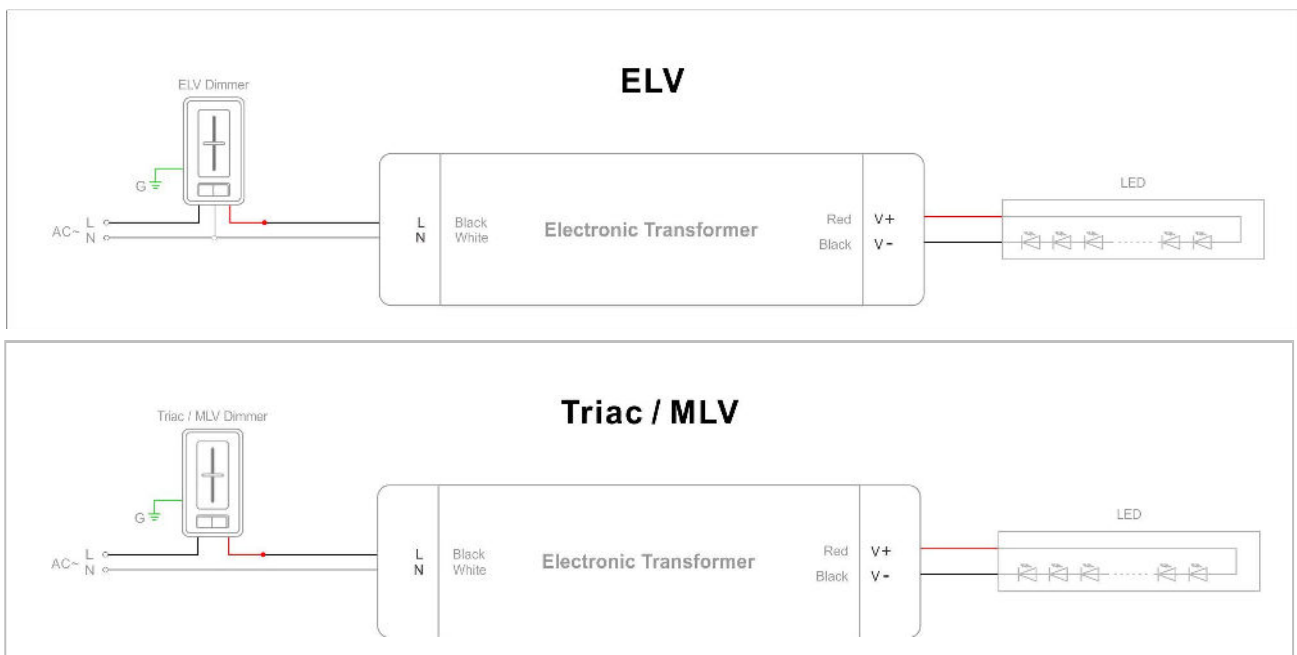
Specification

| | | |
|-------------------------|---------------------------|---|
| Model | | ETF24096TD |
| Certificate | | UL / FCC / ICES-005 / Class P / Class 2 / TYPE HL / SELV / ROHS / REACH |
| Output | DC Voltage | 24V |
| | Voltage Tolerance | ±1.5V |
| | Rated current | 4A |
| | Rated power | 96W |
| Input | Voltage Range | 120VAC |
| | Frequency Range | 50 / 60Hz |
| | Power Factor(typ.) | >0.95 |
| | Total Harmonic Distortion | THD< 20%(@100% load) |
| | Efficiency(Typ.) | 88%@120VAC |
| | AC Current(Typ.) | 0.9A |
| | Leakage Current | <0.5mA/ 120VAC |
| Protection | Short Circuit | Hiccup mode, recovers automatically after fault condition is removed. |
| | Over Load | Hiccup mode, recovers automatically after fault condition is removed. |
| Environment | Working TEMP. | -40~+60°C (see below derating curve) |
| | Working humidity | 20 ~ 90% RH non-condensing |
| | Storage temp., Humidity | -40 ~ +90, 10 ~ 95% RH |
| | Temp .coefficient | ±0.03%/°C (0~50°C) |
| | Vibration | 10 ~ 500Hz, 2G 12 minutes/cycle, X Y Z axis 72 minutes each |
| Safety & EMC | Safety standards | UL8750; CAN/CSA-C22.2 No.250.13 |
| | Withstand voltage | I/P-O/P:1.88KVAC |
| | EMC Immunity | FCC/ICES do not request this test |
| | EMC Emission | CFR47 FCC Part15 Subpart B:2020; ICES-005 Issue 5; ANSI C63.4a-2017 |
| Others | Weight | 0.17KG |
| | Dimension | See Mechanical Specification |
| | Packing | 28*21.5*19.5 cm (50PCS/CTN) |

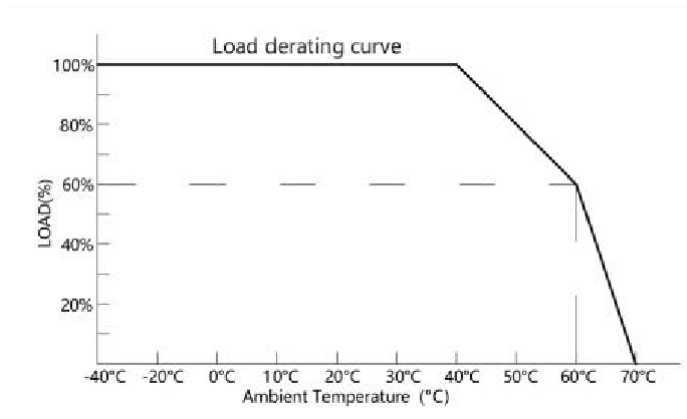
Mechanical Specification



Connecting Diagram



Derating Curve (Output load vs TEMP.)



To extend their life, please refer to the Derating Curve and derate according to the temperature.

Warm tip:

All Electronic Transformer meet the harmonic emissions requirements of ANSI C82.77-10.

Instructions

1. This driver should be installed by qualified and professional person.
2. Please make sure the driver is installed with adequate ventilation around it to allow for heat dissipation.
3. Ensure that wiring is correct before test in order to avoid light and power supply damage.
4. If driver Cannot work normally, don't maintain privately.

Have any questions, please contact Zhuhai Shengchang.

Please visit our website or contact us for more information! www.scpower.net.cn/en