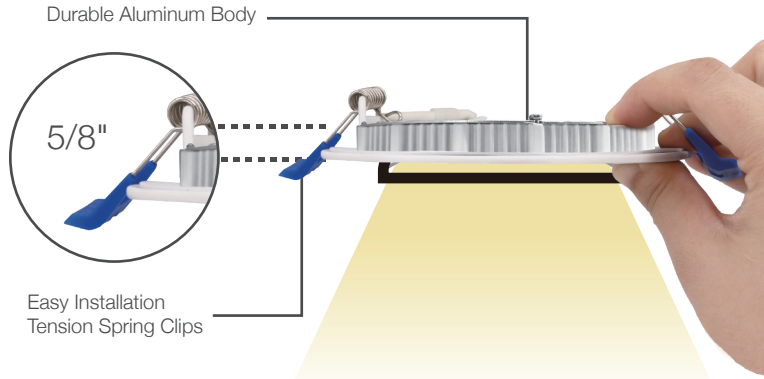


4" Round LED Slim Downlight



Quick Connector



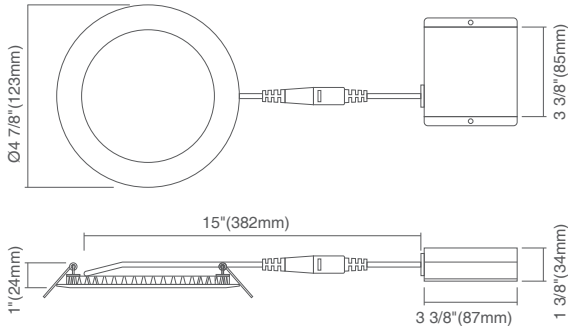
Low-profile, edge-lit design

Features

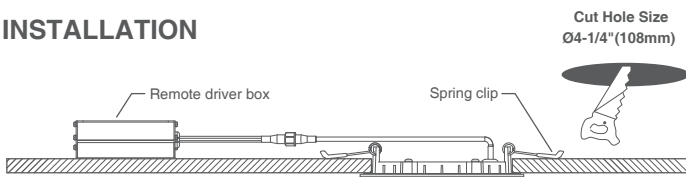
- Edge-lit technology, no glare or dark spots, instant-on
- No existing recessed housing or junction box required
- Dimming: TRIAC down to 10%
- I.C. rated for direct contact with insulation
- Suitable for WET LOCATION
- Rated for a long life - over 50,000 hours
- 5-color field selectable CCT - 2700K, 3000K, 3500K, 4000K, 5000K



DIMENSIONS



INSTALLATION



SPECIFICATIONS		
Model	LED-4-S9W-5CCTWH-PL	LED-4-S12W-5CCTWH-PL
Watts	9W	12W
Light Output(lm)	600lm	700lm
Size	4in	
Default Driver Input	AC120V,60HZ	
Color Temperature(K)	5-color field selectable CCT - 2700K, 3000K, 3500K, 4000K, 5000K	
CRI	90Ra (80Ra Optional)	
Dimming	Triac Dimming	
Power Factor	>0.9	
Approved Location	Wet Location	
Air Tight	Yes	
Operating Temp.	(-4°F~-104°F) -20~40°C	
Beam Angle	120°	

PACKAGE	
Weight.(g)	332g
Qty/CTN (pcs)	18pcs/CTN
Box Dimension	440*280*230mm
Gross Weight	7.58kg/CTN

Notes:
 * XX represents different CCT, 27K for 2700K;3K for 3000K; 35K for 3500K; 4K for 4000K; 5K for 5000K; 3CCT for 3000K/4000K/5000K, 5CCT for 2700K/3000K/3500K/4000K/5000K.
 * YY represents different color finish, WH for white; BN for brushed nickel; BK for Black; BZ for Bronze.
 Example: LED-4-S9W-5CCTWH-PL; LED-4-S12W-5CCTWH-PL

Accessories

Extension Cables



FLEX-4
4ft flexible connector, for use with Gimbal/ s lim LED fixtures



FLEX-10
10ft flexible connector, for use with Gimbal/ slim LED fixtures



FLEX-6
6ft flexible connector, for use with Gimbal/ s lim LED fixtures



FLEX-20
20ft flexible connector, for use with Gimbal/ slim LED fixtures

Decorative Trim Ring



4 inch Round
 ADET4-BK
 ADET4-BZ
 ADET4-BN
 ADET4-CP

Black (BK) Rubber Oil Bronze (BZ) Brushed Nickel (BN) Cooper (CP)

Goof Ring



ADGR4-WH
 4" Goof Ring
 Inside Diameter - 4 3/16" (106.8mm)
 Outside Diameter - 5 3/4" (146mm)
 Thickness - 1mm
 for use with Gimbal/ slim LED fixtures

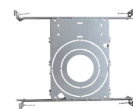
Mounting Plate



MP4-3
 The MP4-3 is a 4" new construction pre-mounting plate
 Opening Ø4 1/4"(108mm)



MP4
 The MP4 is a 4" new construction pre-mounting plate with collar for use with screw down "C" style
 Opening Ø4 3/8"(110mm)



MP-UNV-346
 The MP-UNV-346 is a 3 7/8" new construction pre-mounting plate
 opening Ø3"(75mm), Ø4-3/8"(110mm), Ø6-1/4"(160mm)