

Read Instruction manual carefully to ensure proper installation.  
Please keep this instruction manual for future using!

**! WARNING**

To avoid the risk of fire, or electric shock this product should be installed, inspected, and maintained by a qualified electrician only. Installation should be completely by an individual familiar with the construction and operation of the luminaire. Installation of luminaire must be in accordance with nation and local building and electrical codes.

**Safety Warning:**

To avoid electric shock:

Be certain electrical power is OFF before and during installation and maintenance.  
Luminaire must be supplied by a wiring system with an equipment grounding conductor.

To avoid burning hands:

Make sure lens and housing are cool when performing maintenance.

To avoid product degradation:

Make sure the wire supply voltage is the same as the luminaire supply

Use proper supply wiring as specified on the luminaire nameplate.

Avoid use in environments containing sulfur, chlorine, or other halides, methyl acetate or ethyl acetate, cyanoacrylates, glycol ethers, formaldehyde or butadiene.

**Notes:**

Instructions do not cover all details and all possible product configurations.

Do not restrict luminaire ventilation.

Ensure LED luminaire is not covered with material that will prevent convection or conduction cooling.

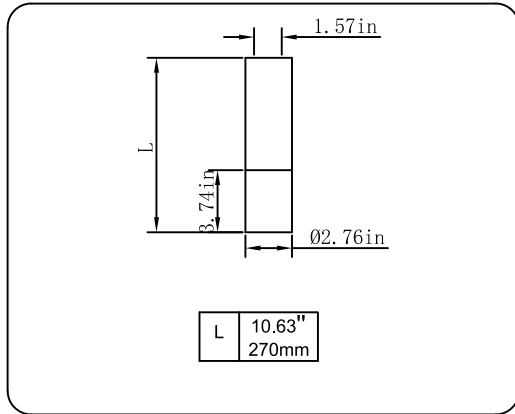
Ensure LED luminaire has the correct polarity before installation

Avoid exposing wiring to metal edges and sharp objects.

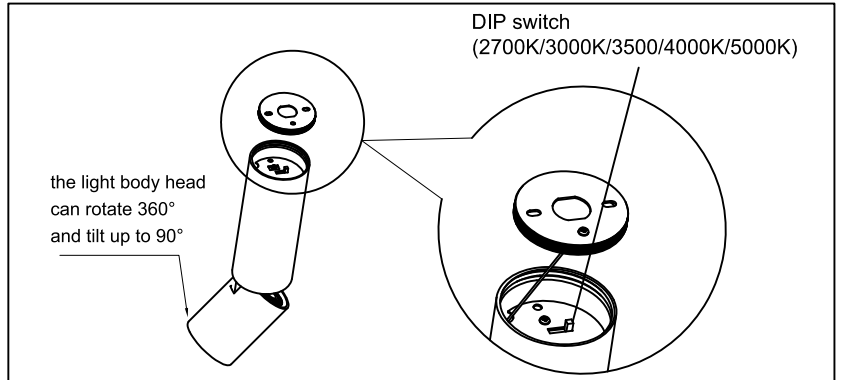
**Maintenance:**

Perform visual, electrical, and mechanical inspections on a regular basis. The environment and frequency of use should determine this. However, it is recommended that checks be made at least once a year. Electrically check to make sure that all connections are clean and tight. Mechanically check that all parts are properly assembled.

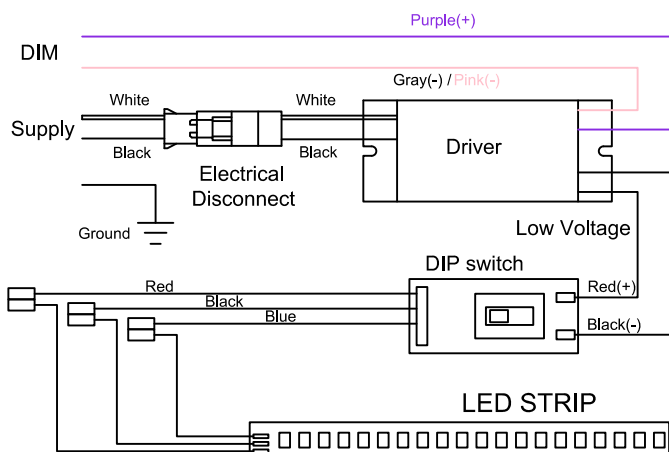
**Installation Dimension (suspended)**



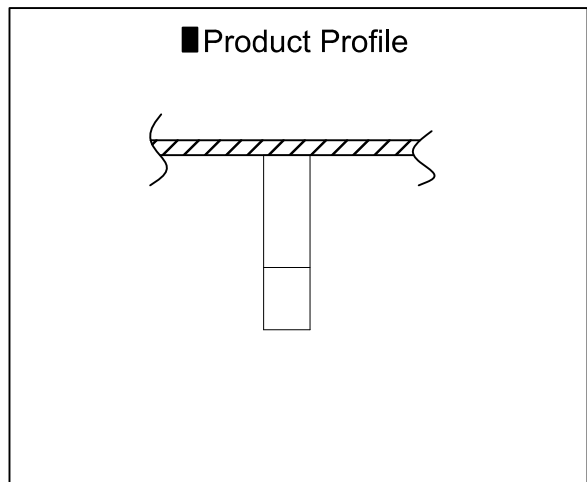
**Dip switch for CCT**



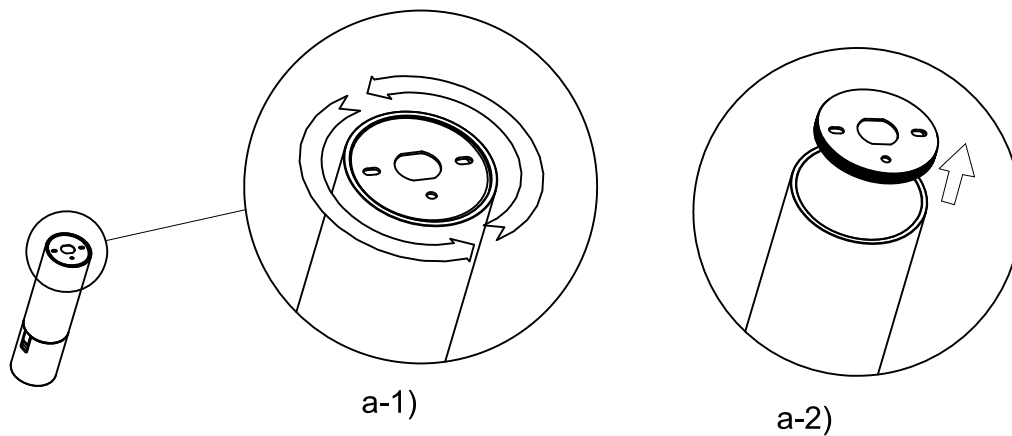
**Wiring Diagram**



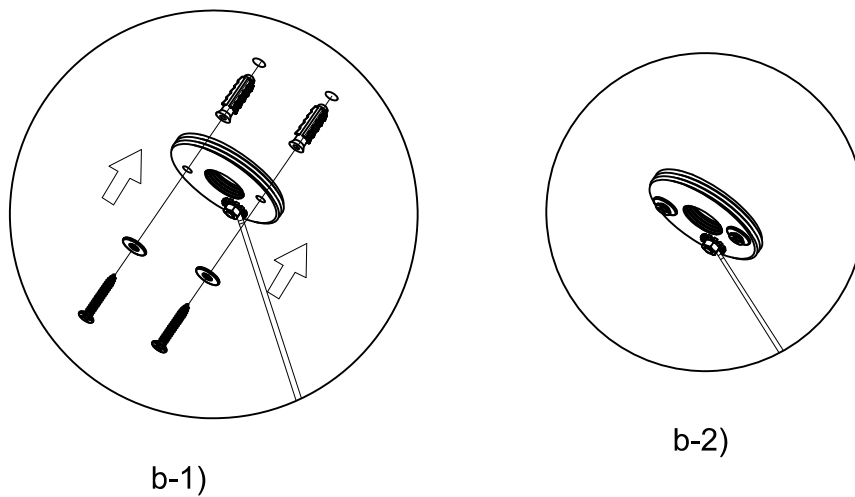
**Product Profile**



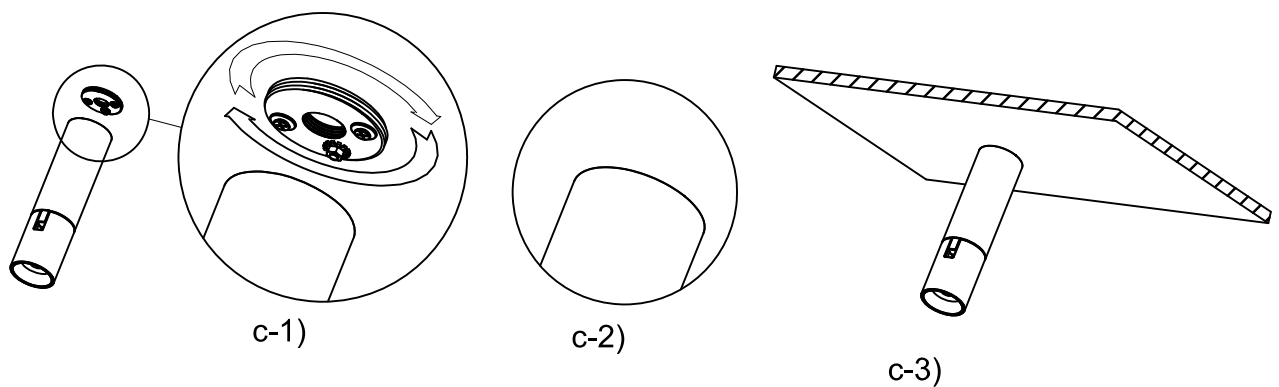
## ■ Surface Mounted Installation(A)



A. Remove the ceiling plate by unscrewing it.

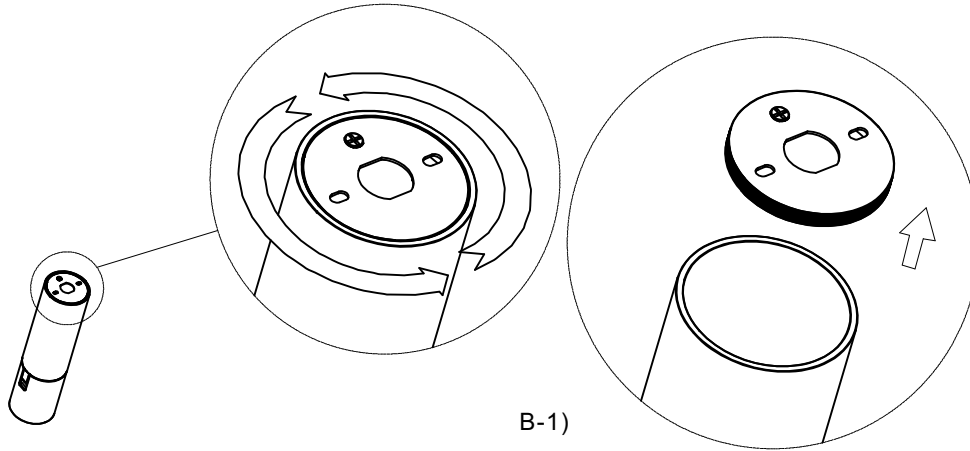


Secure the ceiling plate using screws, washers, and anchors.  
Ensure step (A) is completed before proceeding.



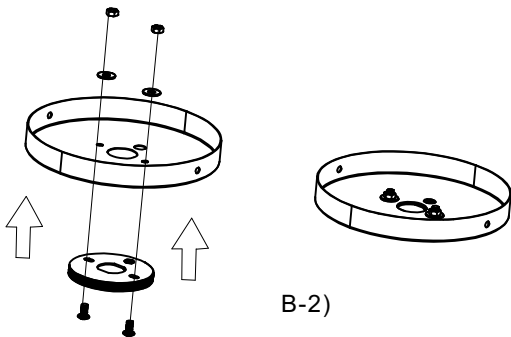
Connect the wires and screw the light body back onto the ceiling plate.

## ■JBOX-Surface Mounted Installation(B)

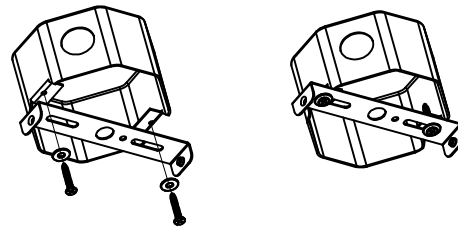


B-1)

Remove the ceiling plate by unscrewing it.

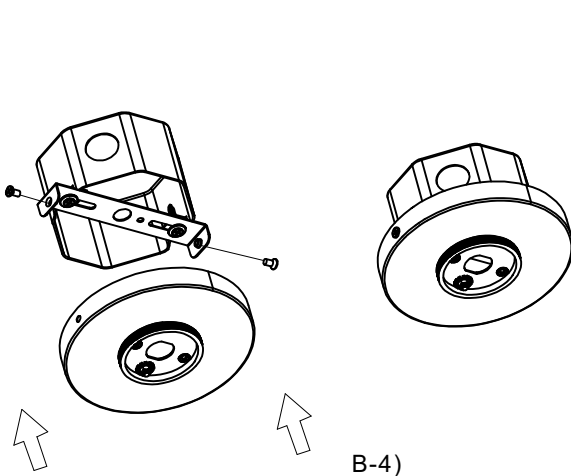


B-2)



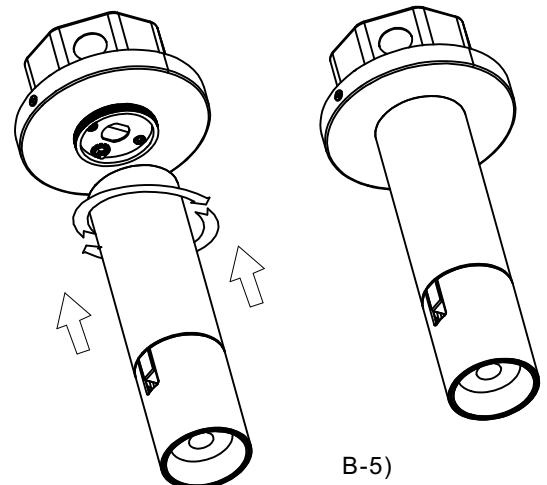
B-3)

Connect the ceiling plate and the canopy using bolts, washers and nuts.  
Connect the ceiling bracket and the outlet box using bolts and washers.



B-4)

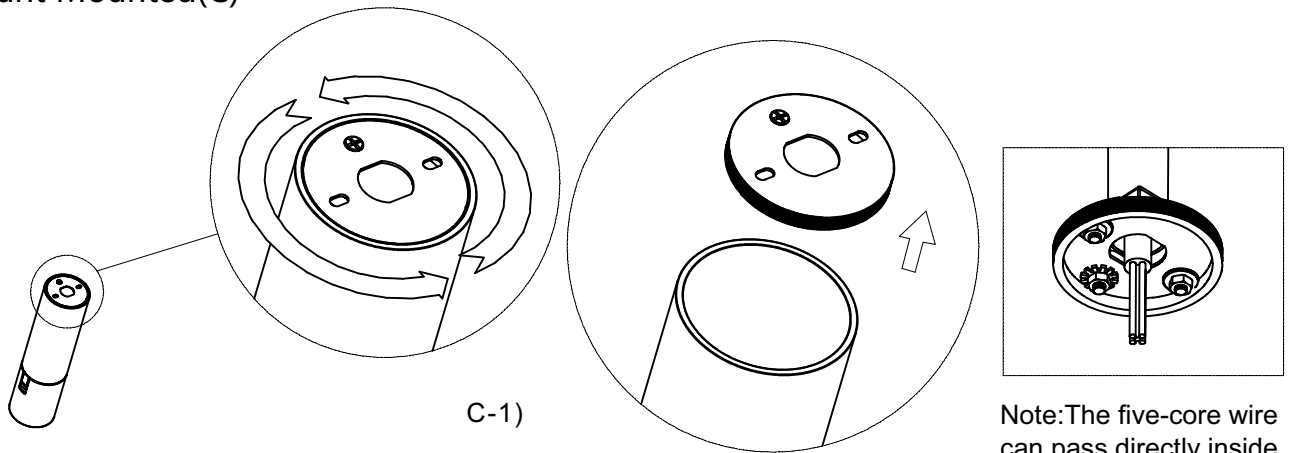
Connect the bracket and the canopy by the countersunk bolt.



B-5)

Connect the wires and screw the light body back onto the ceiling plate  
Installation is completed.

## ■ Rod Pendant Mounted(C)



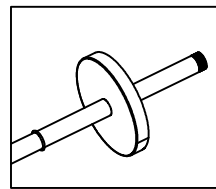
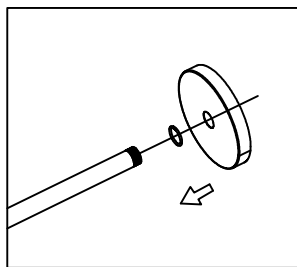
C-1)

Note: The five-core wire can pass directly inside the pendant rod.

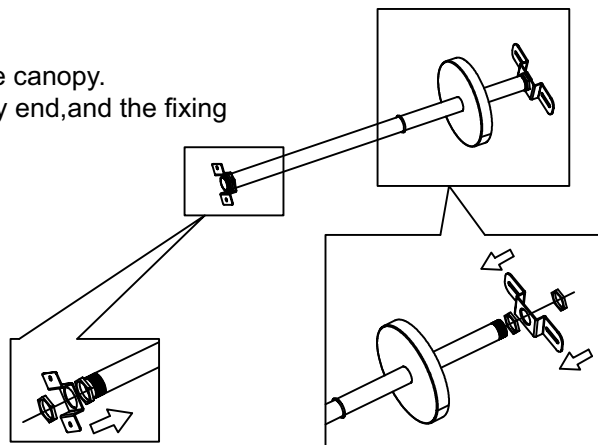
Remove the ceiling plate by unscrewing it.

Note for step (B):

1. Ensure the silicone ring is on the outside of the canopy.
2. The ceiling plate should be close to the canopy end, and the fixing bracket should be close to the silicone ring end.



C-2)

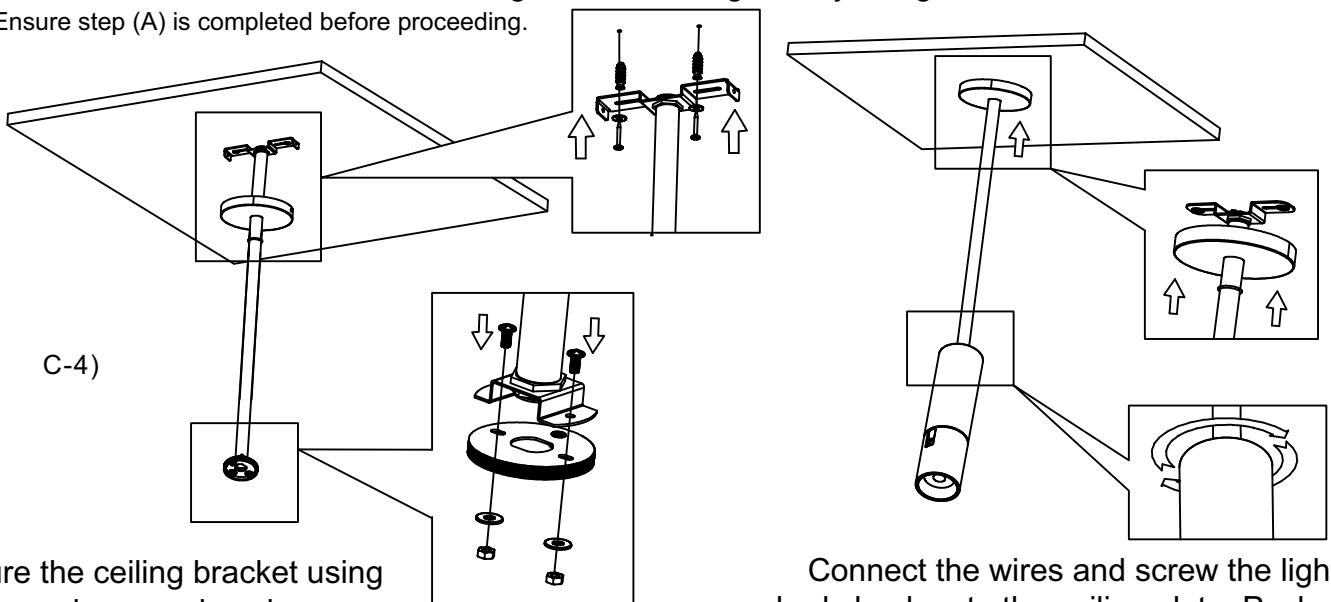


C-3)

Place the silicone ring and canopy over the pendant rod.

Use hex nuts to secure the ceiling bracket and light body fixing bracket.

Ensure step (A) is completed before proceeding.

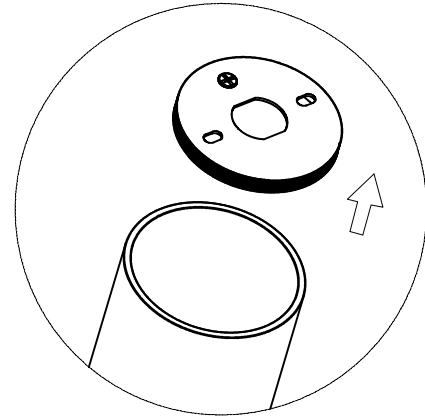
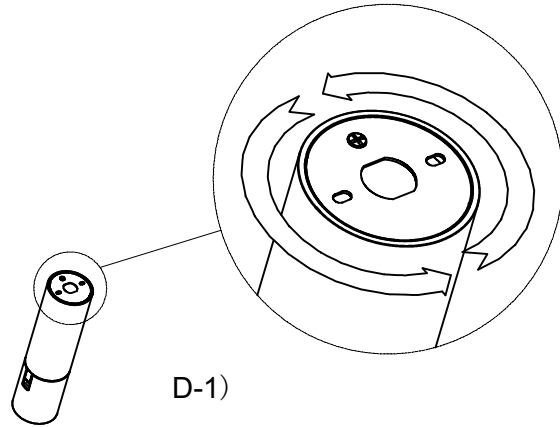


C-4)

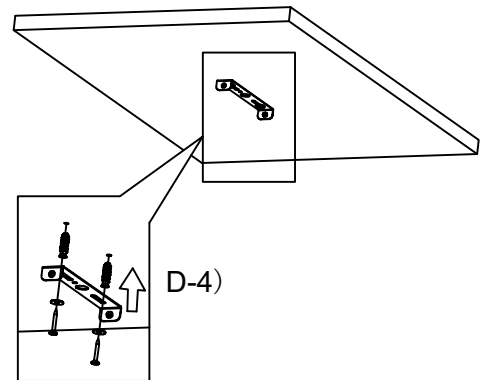
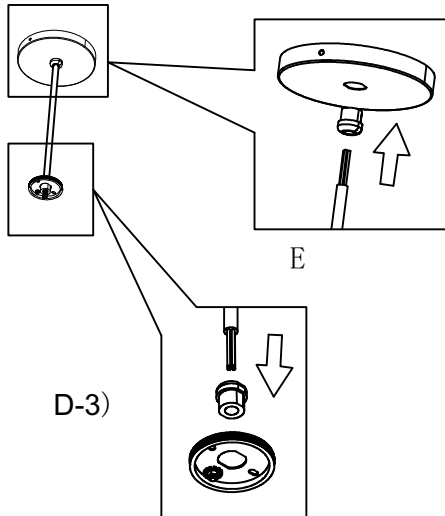
Secure the ceiling bracket using screws, washers, and anchors. Use screws with washers and nuts to connect the ceiling plate and light body fixing bracket.

Connect the wires and screw the light body back onto the ceiling plate. Push the silicone ring and the canopy up to the ceiling. Installation is completed.

## ■ Cord Pendant Mounted(D)

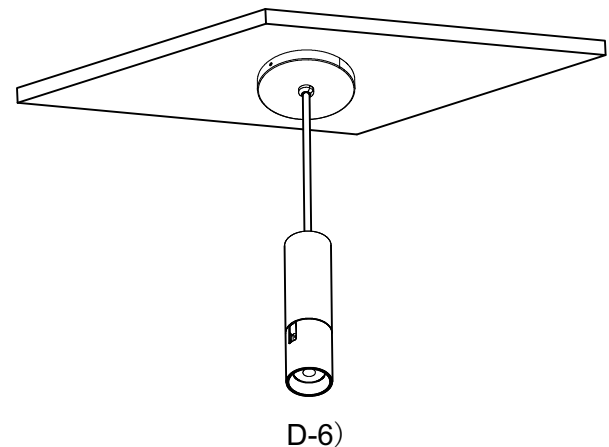
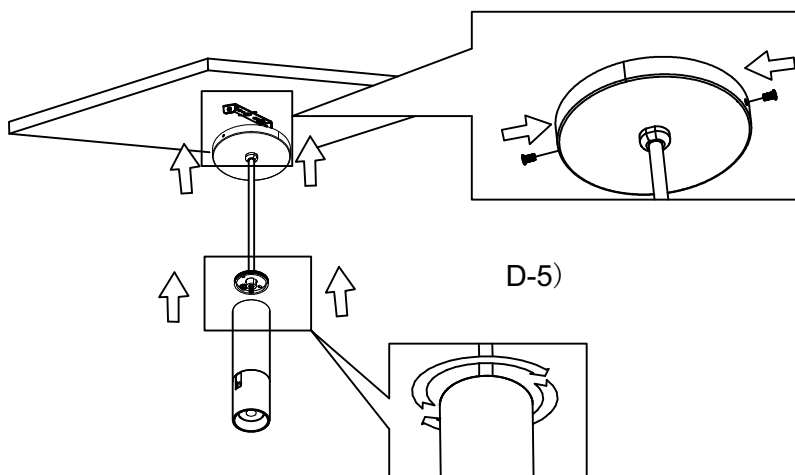


Remove the ceiling plate by unscrewing it.



Install the bracket.

Use 7N-2 wire clips to connect the ceiling plate, five-core suspension wire and the canopy.



Installation is completed.

Connect the internal five-core wire and AC wire.  
Screw the light body back onto the ceiling plate.  
Secure the canopy to the bracket with screws.