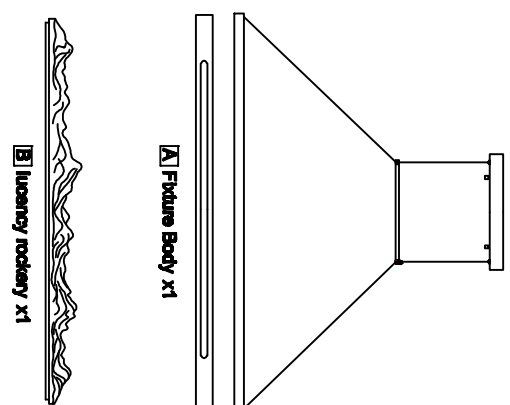


Assembly Instruction Sheet #S-1 601P48 For Style 1601P48

Tools Required: Flathead screwdriver, Phillips screwdriver, pliers, wire cutters, wire strippers, electrical tape, safety glasses.
Light Source: 120V LED 25W DIMMABLE (8000K).
Preparation: Identify and inspect all parts before beginning installation. Check package content list and diagrams below to be sure all parts are present. If any parts are missing or damaged, do not attempt to assemble, install, or operate the fixture. Contact customer service for replacement parts.

Warnings and Cautions
 Turn off electricity at circuit breaker or main fuse box before installation. Consult a licensed electrician if in doubt. These instructions are provided for your safety. It is very important you read them completely before installing the fixture. We strongly recommend that a licensed, professional electrician perform the installation. Disconnect fixture from power source before replacing bulbs. Make sure bulbs are given sufficient time to cool before removal.

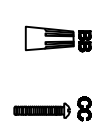
Package Contents



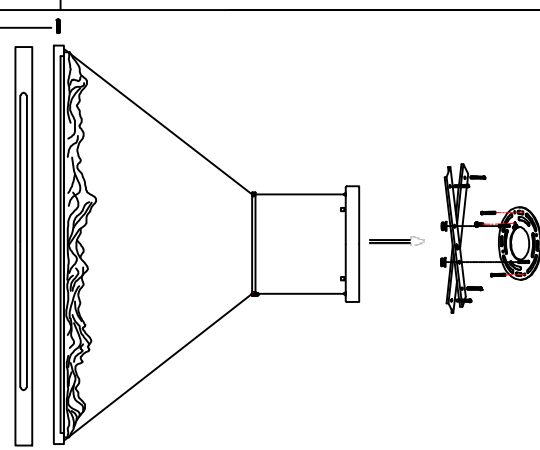
[A] Fixture Body x1
 [B] Canopy rockery x1

Hardware Contents

| PART | DESCRIPTION | QUANTITY |
|------|-------------|----------|
| BB | Wire nut | 2pcs |
| CC | Screw | 2pcs |



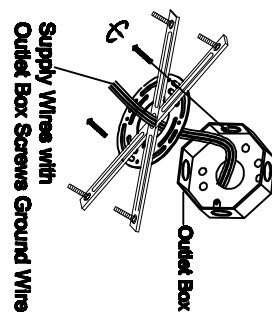
STEP 1 - Install Ceiling Canopy to Ceiling .



Both ends are secured with long screws x1

[Figure 1]

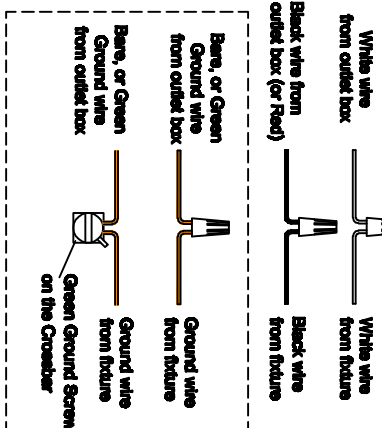
STEP 2 - Attach Crossbar to Outlet Box .
 A. Pass the supply wires through the Mounting bracket (EE). Attach the Mounting bracket (EE) to the Outlet Box (CC) with the head of the Green Ground Screw facing you. Secure it with Outlet Box Screws (not included). Tighten until snug.



Supply Wires with Outlet Box Screws Ground Wire

[Figure 2]

STEP 3 - Wire Connections
 A. Use standard wire connectors to make all wire connections. Twist connectors until wires are tightly joined together. Wrap each connection with approved electrical tape and carefully stuff all the connected wires into the Outlet Box.

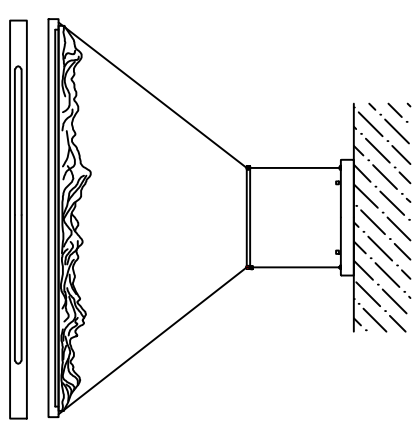


White wire from outlet box White wire from fixture
 Black wire from outlet box (or Red) Black wire from fixture
 Bare, or Green Ground wire from outlet box Ground wire from fixture

Bare, or Green Ground wire from outlet box Green Ground Screw on the Crossbar

[Figure 3]

STEP 4



[Figure 4]