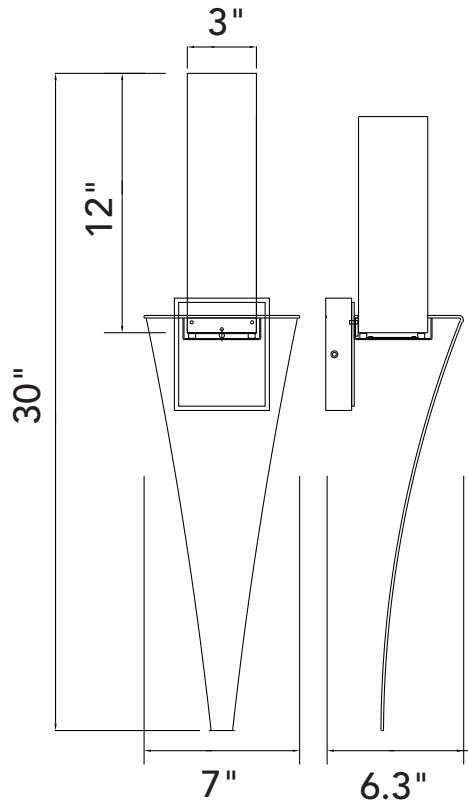




PROJECT: \_\_\_\_\_  
 FIXTURE TYPE: \_\_\_\_\_  
 LOCATION: \_\_\_\_\_  
 CONTACT/PHONE: \_\_\_\_\_



Item	1502W7-1-101
Collection	Catania
Category	Wall Sconce
Finish	Black
Glass	-----
Crystal	Bubbled
Acrylic	-----

Shade Color	-----
Min Assembled Height	30"
Max Assembled Height	30"
Width	7"
Length	-----
Extension Wall Mounts	6.3"
Input	120V AC,60HZ,AC

Lumens	520
Light Source	Integrated LED
Bulb Info.	10W
Included	Yes
Dimmable	Yes
Colour Temp	2700/3000/3500/4000/5000
Weight	11.44 Lbs

CWI Lighting  
 2775 Broadway  
 Buffalo, NY 14227  
 USA

CWI Lighting  
 140 Steelcase Rd. W.  
 Markham ON. L3R 3J9  
 Canada

Dallas Showroom  
 Showroom #: 4707  
 2100 N. Stemmons Frwy.  
 Dallas, TX 75207

Email: [info@cwilighting.com](mailto:info@cwilighting.com)  
 Toll: 1-877-564-6034  
[www.cwilighting.com](http://www.cwilighting.com)

