



# DALS LIGHTING

Canada  
80, de la Seigneurie blvd., E.  
Blainville, Quebec j7C 4N1

U.S.A.  
4383, NW 124th Ave.,  
Coral Springs, Florida 33065

877.430.1818  
info@dals.com  
dals.com

**MODEL** VA024-CC

**NAME** Shift

24" Adjustable Oblong Vanity

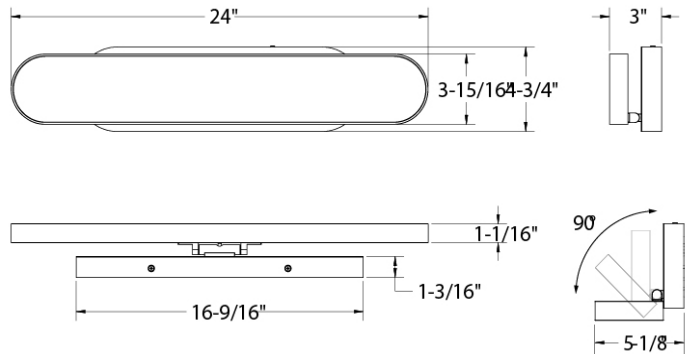
A sleek, high-quality LED profile luminaire with direct light output, crafted from durable aluminum extrusion. Its oblong linear head features an efficient 90° swiveling design for versatile lighting.



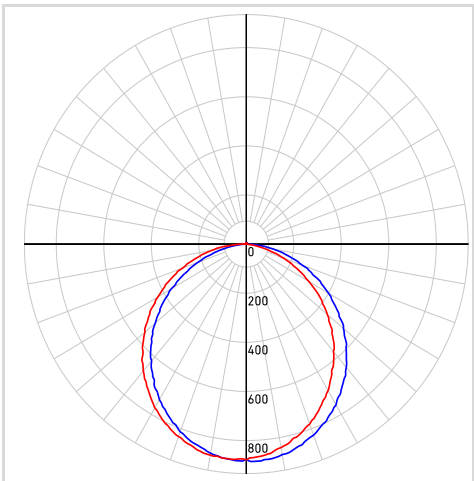
**PROJECT** \_\_\_\_\_ **TYPE** \_\_\_\_\_

**DATE** \_\_\_\_\_ **QTY** \_\_\_\_\_

**NOTES**



## LIGHT DISTRIBUTION



\*Lumen output measured at 3000k

## QUICK SPECS

<b>Size</b>	24"
<b>Watts (W)</b>	31
<b>Delivered lumens*</b>	2470
<b>CRI</b>	90
<b>Voltage (v)</b>	120
<b>Beam angle (deg)</b>	115
<b>Mounting</b>	Adjustable
<b>Lifespan (hrs)</b>	50 000
<b>Binning</b>	7 SDCM
<b>LED model</b>	SMD 2835
<b>Light direction</b>	Directional
<b>Color temperature</b>	2700K,3000K,3500K,4000K,5000K

## ELECTRICAL DETAILS

<b>Environment</b>	Damp
<b>Location</b>	Indoor
<b>Operating temp. (° C)</b>	-20 to 40
<b>IP rating</b>	IP40
<b>Input voltage (V)</b>	120
<b>Output voltage (V)</b>	115-130v
<b>Output current (mA)</b>	190
<b>Power factor</b>	91
<b>Driver type</b>	Constant current
<b>THD</b>	≤ 50%
<b>Certifications</b>	ETL, FCC, ICES

## ORDERING GUIDE

VA024-CC - \_\_\_\_\_  
*Finish*  
**BK** - Black ●  
**GD** - Gold ●

## CONSTRUCTION

<b>Lens material</b>	PC
<b>Lens type</b>	Frosted
<b>Finish type</b>	Matte
<b>Housing material</b>	Steel

WHAT'S IN THE BOX	ACCESSORIES	ADAPTORS
<ul style="list-style-type: none"> <li>LED vanity light</li> <li>Mounting bracket</li> <li>Mounting hardware</li> <li>Wire nuts</li> <li>Instruction sheet</li> </ul>		

#### RECOMMENDED DIMMER LIST\*

BRAND	MODEL	DIMMER SPECS	GRADE	MIN	MAX	MAX LOAD
Dals	SM-DIMSW Smart Dimmer*	Triac, 250W LED/CFL	Compatible	0	100	8
Lutron	DVCL-153PR-WH-C*	Triac, 150 W Dimmable CFL/LED	Compatible	0	100	5
Lutron	CTCL-153PDH-WH-C*	Triac, 150 W Dimmable CFL/LED	Compatible	0	100	5
Lutron	STCL-153PH-WH-C*	Triac, 150 W Dimmable CFL/LED	Compatible	0	100	5
Lutron	MACL-153MRHW-WHC*	Triac, 150 W Dimmable CFL/LED	Compatible	0	100	5
Lutron	DVELV-300P-WH	300W electronic low voltage dimmer	Compatible	0	100	10
Lutron	MA-PRO-WH*	ELV, 250W LED/CFL	Compatible	0	100	8
Lutron	Caseta PD-6WCL-WH-R-C*	Triac, 300W Dimmable CFL/LED	Compatible	0	100	5
Lutron	Caseta PD-5NE-WH-C*	ELV, LED—up to 250 W	Compatible	0	100	8
Lutron	Caseta PD-10NXD-WH*	Triac, LED—up to 250 W	Compatible	0	100	8
Leviton	6674*	Triac, 150 W Dimmable CFL/LED	Compatible	0	100	5
Leviton	PL06-10Z*	Triac, 150 W Dimmable CFL/LED	Compatible	0	100	5
Leviton	DSL06-1LZ*	Triac, 150 W Dimmable CFL/LED	Compatible	0	100	5
Leviton	D26HD-742-1RW*	Triac, 300W LED/CFL	Compatible	0	100	10
Legrand	RHCL453PNICCV4*	Triac, 450W Dimmable CFL/LED	Compatible	4	100	15
Legrand	ADTP703TUM4*	Triac, 450W Dimmable CFL/LED	Compatible	0	100	15
Legrand	ADPD453LM2*	Triac, 450W Dimmable CFL/LED	Compatible	3	100	15
Legrand	RHL373PW*	Triac, 250W LED	Compatible	0	100	8
Control 4	C4-APD120-WH	ELV, 120W LED	Compatible	0	100	4
Control 4	C4-FPD120-WH	Triac, 200W LED	Compatible	0	100	6
Commercial Electric	HPDA311CWB*	Triac, 150W LED & CFL	Compatible	0	100	5
TP-Link	HS220*	Triac, 150 W, Dimmable LED (MLV)	Compatible	0	100	5

\*With Low-End Adjustment Feature

Minimal buzzing noise may occur with some dimmers

#### WARRANTY

DALS offers a 5-year warranty from the date of purchase which covers repairs or replacement of defective parts of the housing, optics, and electronics. To contact DALS customer service call 1-877-430-1818 or send an e-mail to [info@dals.com](mailto:info@dals.com).