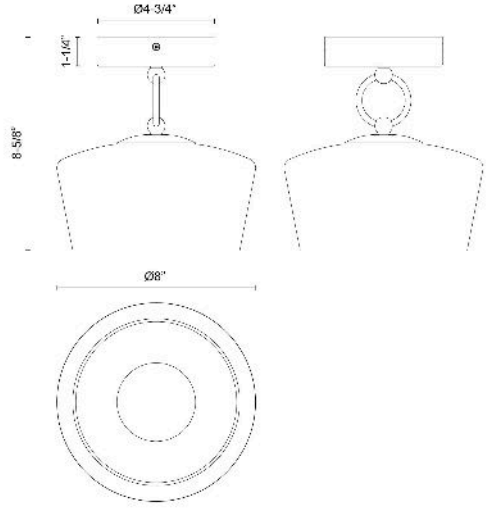


Leota 8-in Semi-Flush Mount

Model	Color Temperature	Wattage	Voltage	Total Lumens	Delivered Lumens	Dimmer Support (Optional, Not Included)
<b>SF443308-UNV</b> SF443308BGCL-UNV SF443308CHCL-UNV SF443308MBCL-UNV	3000K	9W	120-277V	705lm	360lm* (BGCL) 385lm* (CHCL) 335lm* (MBCL)	TRIAC/ELV



The Leota lighting collection is like a piece of fine jewelry for your home. It's got this cool bangle-like loop that holds a clear glass shade. And guess what? Inside, there's this opal glass diffuser that makes the light softer and more colorful. It's like having a little piece of art in your living room!

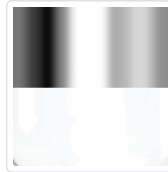
SPECIFICATION DETAILS

Fixture Dimensions	D8" x H8-5/8"
Canopy Dimensions	D4-3/4" x H1-1/4"
Location	Dry
Diffuser Details	Opal Glass Diffuser
Dimming Range	100% - 10%
Illumination Direction	Omni-directional
Light Source/Life	LED (50,000 hours) 90CRI
Material	Steel, Glass
Shade Details	Clear Glass Shade
Compliance	<b>ETL Certified:</b> Yes <b>CEC Title 24:</b> Yes

FINISHES



Brushed Gold/Clear Glass (BGCL)



Chrome/Clear Glass (CHCL)



Matte Black/Clear Glass (MBCL)

\* For custom options, contact customer service.

\* For warranty information, please visit [www.kuzcolighting.com/warranty](http://www.kuzcolighting.com/warranty)

WWW.KUZCOLIGHTING.COM

USA: 3035 E. LONE MOUNTAIN ROAD - LAS VEGAS, NV 89081

CANADA: 19054 28TH AVENUE - SURREY, BC V3Z 6M3