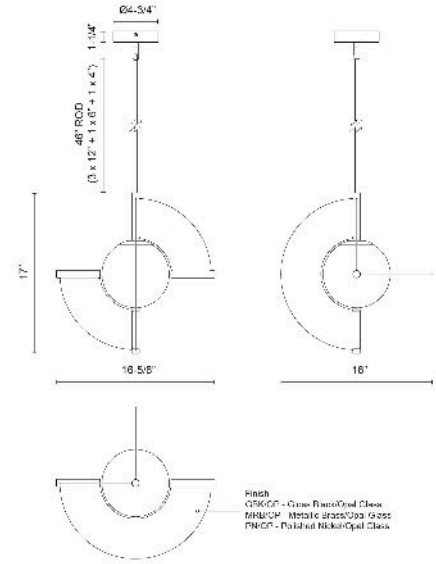


Scorpio 16-in Pendant

Model	Color Temperature	Wattage	Voltage	Total Lumens	Delivered Lumens	Dimmer Support (Optional, Not Included)
PD65116-UNV PD65116-GBK/OP-UNV PD65116-MRB/OP-UNV PD65116-PN/OP-UNV	3000K	15W	120-277V	1230lm	885lm* (GBK/OP) 945lm* (MRB/OP) 970lm* (PN/OP)	TRIAC/ELV

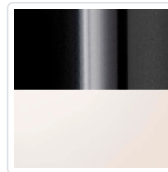


The Scorpio collection captivates with its bold geometric design, blending modern aesthetics with luxurious mirrored finishes. Its reflective metal frame encircles a smooth opal glass center, creating a dynamic interplay of light and depth. Perfect for contemporary interiors, Scorpio adds a striking, infinite-loop effect that elevates any space.

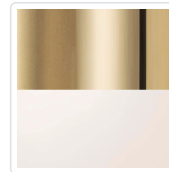
SPECIFICATION DETAILS

Fixture Dimensions	L16-5/8" x W16" x H17"
Canopy Dimensions	D4-3/4" x H1-1/4"
Minimum Hang Height	24"
Location	Dry
Dimming Range	100% - 10%
Glass Details	Opal Glass
Illumination Direction	Omni-directional
Light Source/Life	LED (50,000 hours) 90CRI
Material	Aluminum, Steel, Glass
Sloped Ceiling Adaptable	Yes, 45 Deg
Rod Length	46" Max (3x12" + 1x6" + 1x4")
Shade Details	Opal Glass Shade
Wire Length	72"
Compliance	ETL Certified: Yes CEC Title 24: Yes

FINISHES



Glossy Black/Opal Glass (GBK/OP)



Metallic Brass/Opal Glass (MRB/OP)



Polished Nickel/Opal Glass (PN/OP)

* For custom options, contact customer service.

* For warranty information, please visit www.kuzcolighting.com/warranty

WWW.KUZCOLIGHTING.COM

USA: 3035 E. LONE MOUNTAIN ROAD - LAS VEGAS, NV 89081

CANADA: 19054 28TH AVENUE - SURREY, BC V3Z 6M3