

0-10V Dimming Driver

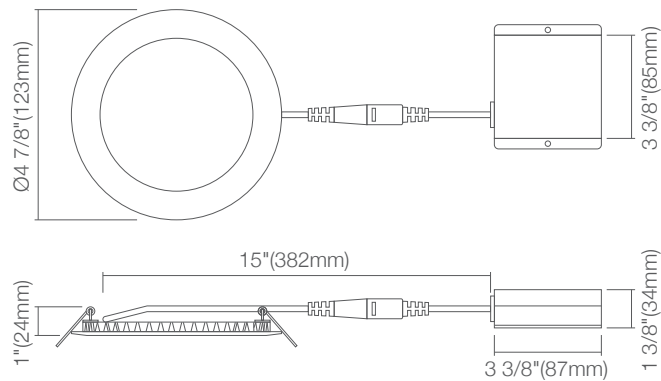
Adjust the brightness of LED light with 0-10V dimmer switch.
Slide the dimmer switch to "0V", 4% brightness of LED light.
Slide the dimmer switch to "10V", 100% brightness of LED light.



Features

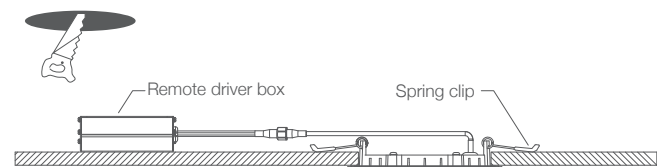
- Edge-lit technology, no glare or dark spots, instant-on
- No existing recessed housing or junction box required
- I.C. rated for direct contact with insulation
- Suitable for WET LOCATION
- Fixture will not fit into existing housing or junction boxes
- Compatible to all 0-10V dimming signal

DIMENSIONS



INSTALLATION

Cut Hole Size
Ø4-1/4" (108mm)



SPECIFICATIONS	
Model	LED-S11W-5CCTYY-UNV
Watts	11W
CRI	90Ra+
Color Temperature(K)	5CCT(2700K,3000K,3500K,4000K,5000K)
Light Output(lm)	700lm
Default Driver Input	AC120-277V, 50/60Hz
Dimming	0-10V Dimming
Power Factor	>0.9
Approved Location	Wet Location
Air Tight	Yes
Operating Temp.	(-4°F~104°F) -20~40°C
Beam Angle	120°
PACKAGE	
Weight.(g)	322g
Qty/CTN (pcs)	18pcs/CTN
Box Dimension	440*280*230mm
Gross Weight	7.58kg/CTN

Notes:
* YY represents different color finish, WH for white; BN for brushed nickel; BK for Black; BZ for Bronze.
Example: LED-S11W-5CCTWH-UNV

ACCESSORIES

Decorative Trim Ring

4 inch Round

- ADET4-BK
- ADET4-BZ
- ADET4-BN
- ADET4-CP

Black (BK) Rubber Oil Bronze (BZ) Cooper (CP) Brushed Nickel (BN)

Extension Cables

FLEX-4
4ft flexible connector, for use with Gimbal/ slim LED fixtures

FLEX-10
10ft flexible connector, for use with Gimbal/ slim LED fixtures

FLEX-6
6ft flexible connector, for use with Gimbal/ slim LED fixtures

FLEX-20
20ft flexible connector, for use with Gimbal/ slim LED fixtures

Mounting Plate

MP4-3
The MP4-3 is a 4" new construction pre-mounting plate opening Ø4-1/4" (108mm)

MP4
The MP4 is a 4" new construction pre-mounting plate with collar for use with screw down "C" style remodel housings opening Ø4-3/8" (1110mm)

MP-UNV-346
The MP-UNV-346 is a 3 3/4" new construction pre-mounting plate opening Ø3" (75mm), Ø4-3/8" (110mm), Ø6-1/4" (160mm)

Goof Ring

ADGR4-WH
4" Goof Ring
Inside Diameter - 4 3/16" (106.8mm)
Outside Diameter - 5 3/4" (146mm)
Thickness - 1mm
for use with Gimbal/ slim LED fixtures