

BEFORE YOU START:

- Please check local electrical codes before beginning
- Turn power off before installing
- Make sure to use proper rated wire

TOOLS NEEDED:

- Phillips Screwdriver
- Wire Cutter and Stripper

PLUG IN INSTALLATION

(Skip this step if you are using HARDWIRE INSTALLATION:

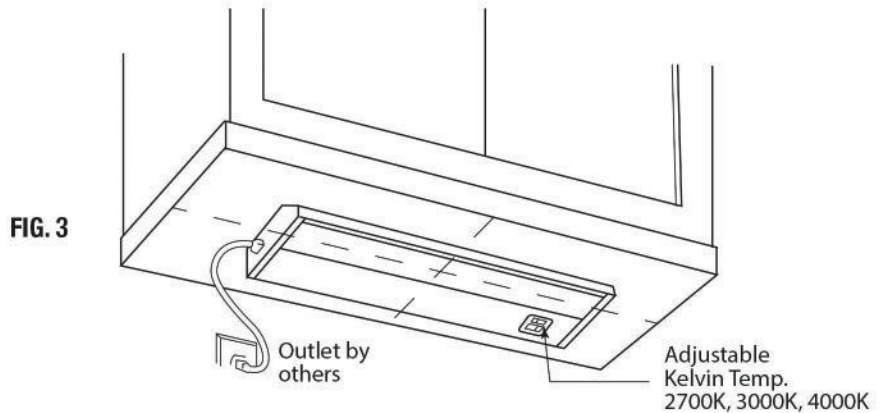
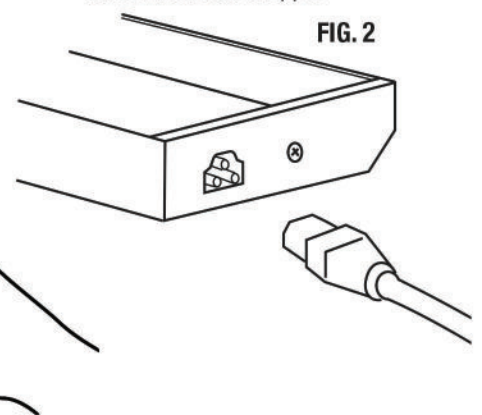
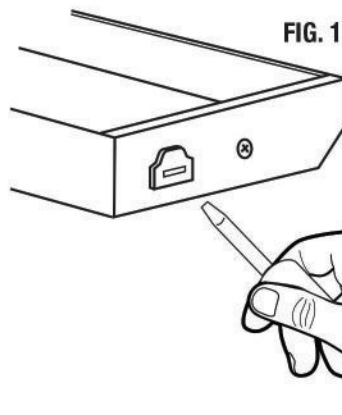
1. Layout where fixture(s) are to be placed, insuring that first fixture is mounted within 6 feet of an outlet. Remove plastic receptacle cap that covers the INPUT socket where you will plug in power cord. **(FIG. 1)**

2. Plug-in power cord to the INPUT socket. Do not force, it should plug-in easily. **(FIG. 2)**

3. Mount fixture to under cabinet or where you plan to locate fixture. Plug power cord into wall outlet. **(FIG. 3).**

4. Connect multiple fixtures using optional flexible fixture to fixture connectors. Do not exceed max. of 200W per run.

5. Adjust white color (Kelvin) levels.



HARDWIRE INSTALLATION:

1. Open up wireway cut-out and wiring compartment (there are screws located on each side of fixture) **(FIG. 4)** and pull out 3 modular wire connectors (black, white and green). Modular (push-in) connectors are suitable for #12-14 AWG solid core wire. Strip back jacket on AC supply wires 3/8" and use modular (push-in) connector to connect wires (BLACK to BLACK, WHITE to WHITE, GREEN to GREEN). **WARNING: DO NOT MIX WIRES OR CHANGE POLARITY.** Please reference **FIG. 5.**

2. Tuck all wires back into wiring compartment, and re-attach wiring compartment. **WARNING: ENSURE ALL THE WIRES AND CONNECTIONS ARE SEALED PROPERLY INSIDE THE FIXTURE WITHOUT PINCHING ANY WIRES.**

