

FEATURES:

- Extruded aluminum with white painting.
- White painted parts are treated with a five-stage phosphate bonding process and finished with high reflectance baked enamel.
- Polycarbonate milky diffuser is snapped into housing
- Surge protector.
- Class II/P driver, 0-10V dimming as standard.
- 50,000+ Hours LED Life Expectancy.
- Power factor: >0.9.
- Driver disconnect provided where required to comply with UL certificate.
- Surface, suspended, wall mounted, recessed
- 5 Year Warranty.
- Damp location.
- UL, cUL listed.
- Ambient Temperature:-30 ~ 40 °C(-22° F to +104° F)
- Damp Location Rated

APPLICATIONS:

Storage rooms/Offices
Conference rooms/Retail
Reception areas/Hallways
Education facilities



Ordering information (standard)

| Item | Watts | CCT | Efficacy | Lumens | Dimension(L*W*H):Inch | | |
|--|-------|-------------------|-----------------|-------------------|-----------------------|------|------|
| AR810JLM02012BVKDXW AH810JLM02012BVKDXW | 20W | 30K 40K 50K | 100- 110lm/w | 2,000- 2,200lm | 24 | 1.97 | 3.15 |
| AR811JLM03013BVKDXW AH811JLM03013BVKDXW | 30W | 30K 40K 50K | 100- 110lm/w | 3,000- 3,300lm | 35.7 | 1.97 | 3.15 |
| AR811JLM04014BVKDXW AH811JLM04014BVKDXW | 40W | 30K 40K 50K | 100- 110lm/w | 4,000- 4,400lm | 47.44 | 1.97 | 3.15 |
| AR812JLM06015BVKDXW AH812JLM06015BVKDXW | 50W | 30K 40K 50K | 100- 110lm/w | 6,000- 7,700lm | 59.25 | 1.97 | 3.15 |
| AR812JLM08018BVKDXW AH812JLM06016BVKDXW | 80W | 30K 40K 50K | 100- 110lm/w | 8,000- 8,800lm | 94.5 | 1.97 | 3.15 |

*Due to continuing product improvements, Brandon Lighting reserves the right to change the specifications without notice.



ORDERING

| Model | Color of Lens | Watts | Length | Mounting Method | CCT | Driver | Accessories |
|---------------|------------------|----------|--------|--------------------------|----------------|---|-------------------|
| AR810J/AH810J | LM - milky | 020: 20W | 12-2ft | B: Surface/ Suspended | 30:3000K | D1 - 120-277V | A: No sensor&EM |
| AR811J/AH811J | lens/perforation | 030: 30W | 13-3ft | W: Wall | 35:3500K | D2 - 347V | B: With Sensor |
| AR812J/AH812J | cover | 040: 40W | 14-4ft | mounted | 40:4000K | D3 - 120-347V | C: With EM |
| | LX-No lens | 050: 50W | 15-5ft | | 45:4500K | D4 - 120-277V | D: With Sensor&EM |
| | LD-clear lens | 060: 60W | 16-6ft | | 50:5000K | wattage selectable | |
| | LL-Louver | 080: 80W | 18-8ft | | VK-CCT tunable | D5 - 120-347V wattage selectable | |
| | | | | | | D6 - 347-480V | |

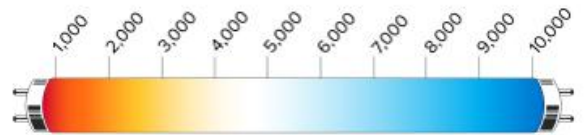
CCT Tunable



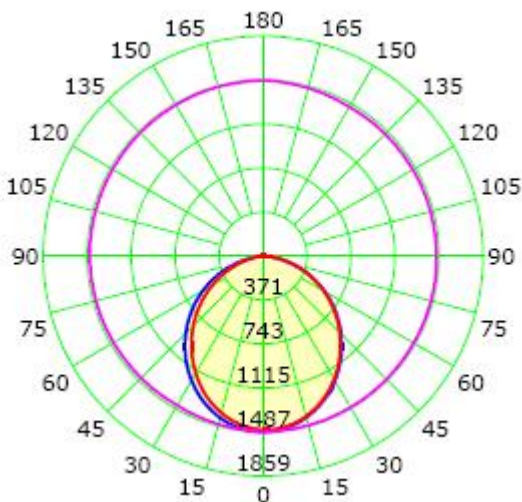
3000K/3500K-Warm White

4000K-Nature White

5000K-Cold White



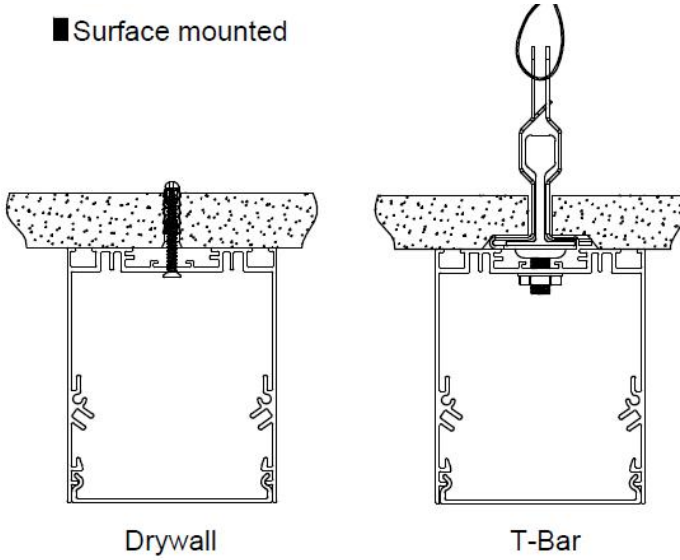
PHOTOMETRIC



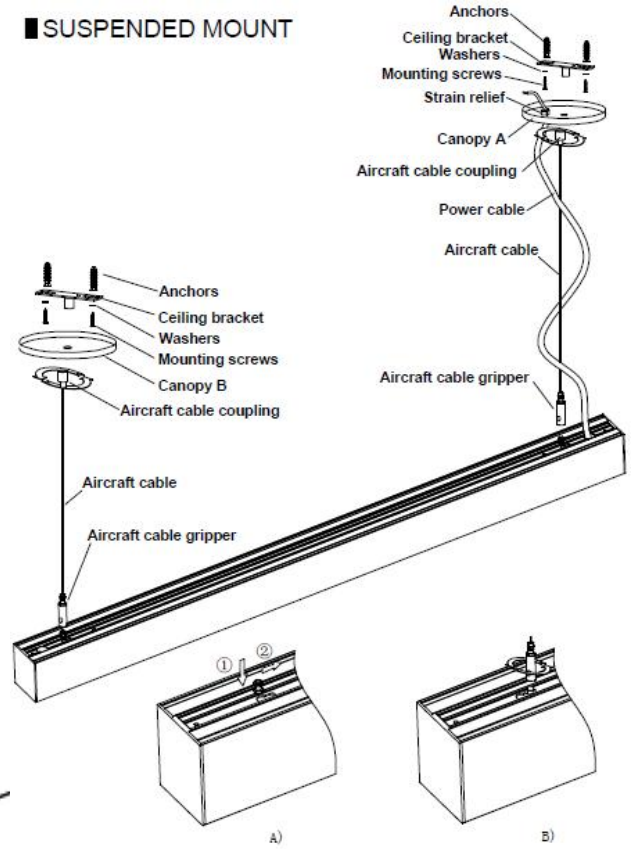
| | |
|----------------------------|---------------|
| Luminaire | 3000K |
| Input Voltage(VAC) | 120V |
| Power (W) | 42.37W |
| Delivered Lumen(Lm) | 3899.6Lm |
| Efficacy(Lm/W) | 100Lm/W |
| Beam Angle | H107.3 V103.3 |
| Power Factor(PF) | >95 |
| Color Rendering Index(CRI) | >80 |

INSTALLATION

■ Surface mounted



■ SUSPENDED MOUNT



■ Wall mounted

