

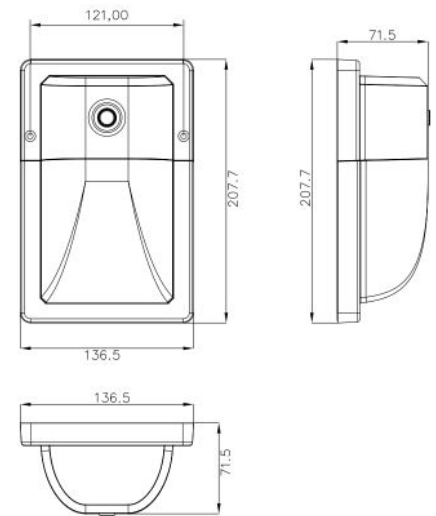
Introduction

The Wallpack Light distills the benefits of the latest in LED technology into a high performance, high efficacy, long-life luminaire. The energy savings, long life and easy-to-install design of the Wallpack make it the smart choice for building-mounted doorway and pathway illumination for nearly any facility. Replaces 75W MH or HID fixtures, either case, with energy-savings of up to 75%.

ORDERING INFORMATION

EXAMPLE: WP411-CCT-XXX-XX

Series	Photocontrol type	Finish
WP411	PCR=Photocontrol NPC=No Photocontrol	BR=Brown
WP412		WH=White
WP413		BL=Black GR=Gray



REGULATORY & VOLUNTARY QUALIFICATIONS

- Suitable for wet locations.
- Certified to ANSI C136.31-2001, 3G vibration standards.
- Luminaire and finish endurance tested to withstand 3,000 hours of elevated ambient salt fog conditions as defined in ASTM Standard B 117.
- RoHS compliant. Consult factory for additional details.
- Precision-molded proprietary acrylic lenses provide multiple photometric distributions tailored specifically to building mounted applications. The Wallpack Light are available in 3000K (70 min. CRI)/4000K (70 min. CRI)/5000K (70 min. CRI) configurations.

Performance Data Lumen Output

Lumen values are from photometric tests performed in accordance with IESNA LM-79-08. Data is considered to be representative of the configurations shown, within the tolerances allowed by Lighting Facts. Actual performance may differ as a result of enduser environment and application. Actual wattage may differ by +/- 10% when operating between 110-277VAC +/- 10%. Contact factory for performance data on any configurations not shown here.

Performance Data

MODEL	LEDS	LED CURRE	RATED WATTS	3000K,70CRI		4000K,70CRI		5000K,70CRI	
				LUMENS	LPW	LUMENS	LPW	LUMENS	LPW
WP411	30*2	0.07	13W	1560	120	1560	120	1560	120
WP412	36*2	0.08	18W	2160	120	2160	120	2160	120
WP413	42*2	0.10	26W	3120	120	3120	120	3120	120

Electrical Data

MODEL	LEDS	LED CURRENT	SYSTEM WATTS	Current			
				110	208	240	277
WP411	30*2	0.07	13W	0.118	0.063	0.054	0.047
WP412	36*2	0.08	18W	0.163	0.087	0.075	0.065
WP413	42*2	0.10	26W	0.236	0.125	0.108	0.094

ELECTRICAL SYSTEM

- Input Voltage: 110-277V, 50/60Hz
- Power Factor: > 0.9 at full load
- Total Harmonic Distortion: < 25% at full load
- Luminaire is qualified to operate at ambient temperatures of -40 °C to +50 °C.

Lumen Ambient Temperature (LAT) Multipliers

Ambient	Lumen Multiplier	
0°C	32°F	1.02
10°C	50°F	1.01
20°C	68°F	1.00
25°C	77°F	1.00
30°C	86°F	1.00
40°C	104°F	0.99

FINISH

Exterior parts are protected by Super Durable thermoset powder coat finish that provides superior resistance to corrosion and weathering. A tightly controlled multi-stage process ensures a minimum 3 mils thickness for a finish that can withstand extreme climate changes without cracking or peeling. Available in textured and non-textured finishes.

WARRANTY

- Five year limited warranty is standard on luminaire and components.