

12-inch Round Slim Surface Mount - Tunable CCT

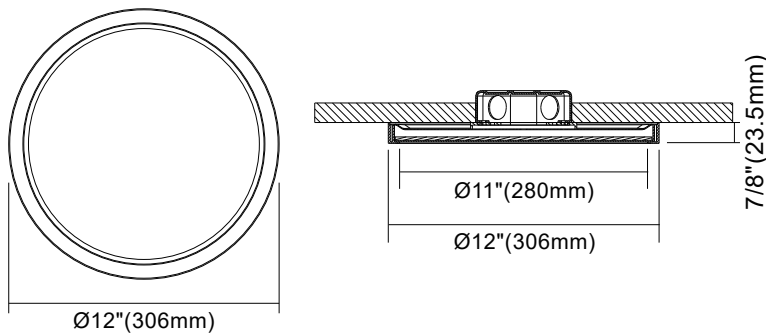


Features

- Edge-lit technology, no glare or dark spots, instant-on
- This 1" thick luminaire is easy to install on standard J-boxes with a quick snap
- Construction: die-cast aluminum with white translucent acrylic lens
- Dimming: TRIAC down to 10%
- Suitable for WET LOCATION
- Rated for a long life - over 50,000 hours
- Field selectable 2700K, 3000K, 3500K, 4000K, 5000K



DIMENSIONS



INCLUDED IN BOX

- 12" Aluminum Die-cast Round Slim Surface
- Mounting Bracket to J-Box
- Two Mounting Screws
- Three Wire Nuts



Universal J-Box Kit

Accessories(sold sperately)

Decorative Ring Used for 12" Round Slim Surface



Round | Deep Bronze
ADS12RT-BZ



Round | Brushed Nickel
ADS12RT-BN



Round | Black
ADS12RT-BK

SPECIFICATIONS	
Model	ADS12R-Tunable-5CCTYY
Watts	22W
CRI	90Ra (80Ra Optional)
Color Temperature(K)	5-color field selectable CCT - 2700K, 3000K, 3500K, 4000K, 5000K
Light Output(lm)	1450lm
Default Driver Input	AC120V, 60Hz
Dimming	Triac Dimming
Power Factor	>0.9
Approved Location	Wet Location
Operating Temp.	(-4°F~104°F) -20~40°C
Beam Angle	120°

PACKAGE	
Weight.(g)	1650g
Qty/CTN (pcs)	6pcs/CTN
Box Dimension	370*380*370mm
Gross Weight	10.8kg/CTN

Notes:
* YY represents different color finish, WH for white; BN for brushed nickel; BK for Black; BZ for Bronze.
Example: ADS12R-Tunable-5CCTWH

Installation

