

INSTALLATION INSTRUCTIONS

Item#1806-xxx (New. 2024/06/11)

READ AND SAVE THESE INSTRUCTIONS

WARNING! SHUT POWER OFF AT FUSE OR CIRCUIT BREAKER.
VERTISSEMENT! COUPER LE COURANT AU NIVEAU DES FUSIBLES OU DU DISJONCTEUR.

ASSEMBLING THE FIXTURE (Fig. 1)

1. Shut off power at the fuse box or circuit breaker box and remove the old fixture including the mounting hardware.
2. Carefully unpack your new fixture and lay out all the parts in a clean area. Take care not to misplace any small parts necessary for installation.
3. Place rectangle tubes (P) down on top of each end of fixture body (O) and middle of the fixture body (O). Lower shade (K) down over fixture body (O). Place shade (K) down on top of tubes (P). Align the holes on bracket on shade (K) with holes in tubes (P). Thread thumb screw (L) down into holes in bracket on shade (K) and into holes in tubes (P) and fixture body (O). Tighten thumb screws (L) to secure shade (K) in place. **DO NOT** over tighten.
4. Connect one lock link (G) to loop and chain link at end of chain (H). Adjust chain (H) to desired hanging height and use a pair of proper chain pliers to remove and discard excess chain. Ensure chains are of equal length. Connect another lock link (G) to link at end of chain (H) and to loop on canopy (D).
5. Carefully lace fixture's wires through chain, skipping every other chain link. Push fixture wires through hole in canopy.

HANGING THE FIXTURE (Fig. 2)

6. Position the mounting plate (A) on the ceiling and mark location of the two mounting holes. Drill the holes on the ceiling and insert the plastic anchors (Y). Attach mounting plate (A) to the outlet box (Not included) using junction box screws (B) and wood screws (X) into plastic anchors (Y). Make sure the side of mounting plate (A) marked "GND" must face out.
7. Pull house wires through center hole in mounting plate (A).
8. The support cable (R) is provided to support weight of the fixture while wiring. Align fixture to mounting plate (A) and attach hook on the end of support cable (R) to a slot located on mounting plate (A). Carefully allow support cable (R) to support weight of fixture while wiring.

CONNECTING THE WIRE (Fig. 3)

9. Connect the electrical wire as shown in Fig.3. Making sure that all wire connectors are secured. If your outlet box has a ground wire (green or bare copper), connect fixtures ground wire to it. Otherwise, connect fixture ground wire directly to the mounting plate using green screw provided.
10. Tuck wire connections neatly into the outlet box.

FINISHING THE FIXTURE (Fig.1)

11. Carefully raise fixture up to ceiling. Secure canopy (D) to ceiling with finials (F).
12. Install (4) four medium base bulbs up to 75 watts each or CFL or LED equivalent (Not included), in accordance with the fixture specification—**DO NOT EXCEED THE MAXIMUM WATTAGE RATING! (NE PAS DEPASSER LA PUISSANCE NOMINALE MAXIMALE!)**.

Fig.1

Set# A-022-450105

- Mounting Plate
- Ground Screw
- Junction Box Screw x2
- Plastic Anchor x2
- Wood Screw x2

Shade# SH1806

Chain# HCH2072-44B x2

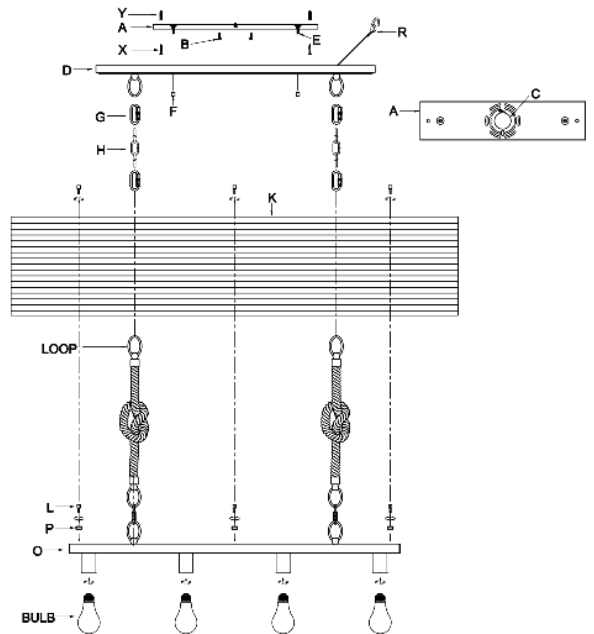


Fig. 2

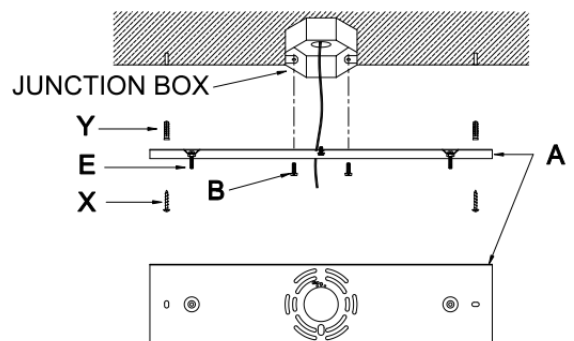
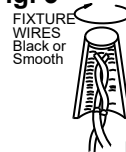


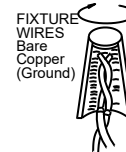
Fig. 3



HOUSE WIRES
Black
(Hot)



HOUSE WIRES
White
(Neutral)



HOUSE WIRES
Green
(Ground)

INSTALLATION INSTRUCTIONS

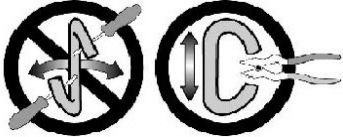
Item#1806-xxx (New. 2024/06/11)

READ AND SAVE THESE INSTRUCTIONS

**WARNING! SHUT POWER OFF AT FUSE OR CIRCUIT BREAKER.
VERTISSEMENT! COUPER LE COURANT AU NIVEAU DES FUSIBLES OU DU DISJONCTEUR.**

Your installation is now complete. Return power to the outlet box and test the fixture.

Note: Illustration (Fig. 1) on this manual is for installation purposes only. It may or may not be identical to the fixture purchased.



Notice: It is important to use proper chain pliers (not included). To OPEN and CLOSE the chain included with this fixture. Do not open them with other tools that may twist or stress the chain links. It is important to use proper chain pliers like the ones shown in the diagram.