

INSTALLATION INSTRUCTIONS

Item#1804-xxx,1805-xxx (New. 2024/06/11)

READ AND SAVE THESE INSTRUCTIONS

WARNING! SHUT POWER OFF AT FUSE OR CIRCUIT BREAKER.
VERTISSEMENT! COUPER LE COURANT AU NIVEAU DES FUSIBLES OU DU DISJONCTEUR.

ASSEMBLING THE FIXTURE (Fig. 1)

1. Shut off power at the fuse box or circuit breaker box and remove the old fixture including the mounting hardware.
2. Carefully unpack your new fixture and lay out all the parts in a clean area. Take care not to misplace any small parts necessary for installation.
3. Lower shade (K) down over fixture body (O). Place bracket on top of shade (K) onto bracket on fixture body (O). Align holes in bracket on shade (K) with holes on fixture body (O). Tighten thumbscrews (L) to secure shade (K) in place. Connect one lock link (G) to loop. Adjust chain (H) to desired hanging height and use a pair of proper chain pliers to remove and discard excess chain. Attach chain link at end of chain (H) onto lock link (G).
4. Carefully lace fixture's wires through chain, skipping every other chain link. Slip lock collar (F) and canopy (D) down over end of chain (H) and fixture wires.

HANGING THE FIXTURE (Fig. 2)

5. Attach crossbar assembly to junction box (Not included) using junction box screw (B). Make sure the side of crossbar (A) marked "GND" must face out. The length of all thread into crossbar (A) may be adjusted if necessary. Then tighten with hex nuts provided.
6. Thread ceiling loop (E) onto all thread (W). Tighten ceiling loop (E) up against first hex nut on all thread (W). Push fixture wires up through hole in ceiling loop (E) attached to crossbar (A) and out end of all thread inside junction box. To aid in connecting fixture wires to house wires, connect another lock link (G) to link at end of chain (H) and to ceiling loop (E).

CONNECTING THE WIRE (Fig. 3)

7. Connect the electrical wire as shown in Fig.3. Making sure that all wire connectors are secured. If your outlet box has a ground wire (green or bare copper), connect fixtures ground wire to it. Otherwise, connect fixture ground wire directly to the crossbar using green screw provided.
8. Tuck wire connections neatly into the outlet box.

FINISHING THE FIXTURE (Fig.1)

9. Position canopy (D) up against ceiling and secure with lock collar (F).
10. Install (3) three medium base bulbs for 1804 and (4) four medium base bulbs for 1805 up to 75 watts each or CFL or LED equivalent (Not included), in accordance with the fixture specification—**DO NOT EXCEED THE MAXIMUM WATTAGE RATING! (NE PAS DEPASSER LA PUISSANCE NOMINALE MAXIMALE!)**.

Your installation is now complete. Return power to the outlet box and test the fixture.

Note: Illustration (Fig. 1) on this manual is for installation purposes only. It may or may not be identical to the fixture purchased.

Fig.1

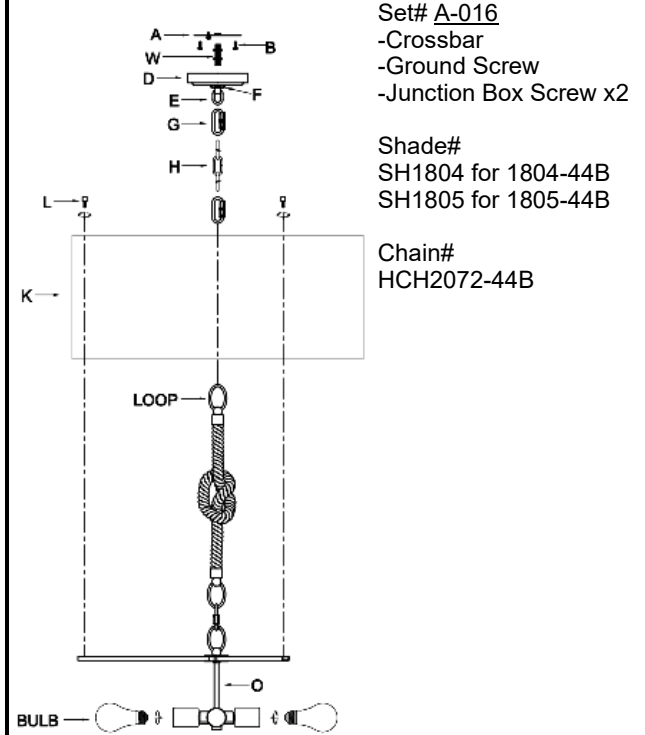


Fig. 2

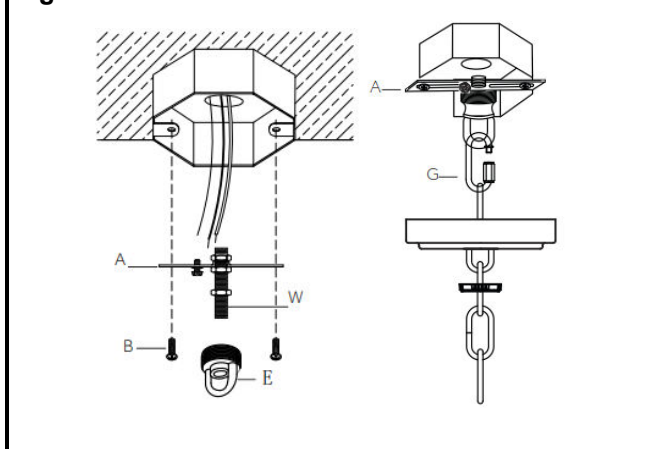
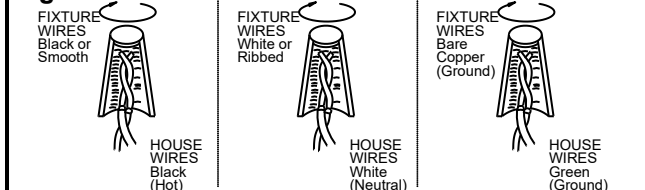


Fig. 3



Notice: It is important to use proper chain pliers (not included). To OPEN and CLOSE the chain included with this fixture. Do not open them with other tools that may twist or stress the chain links. It is important to use proper chain pliers like the ones shown in the diagram.

