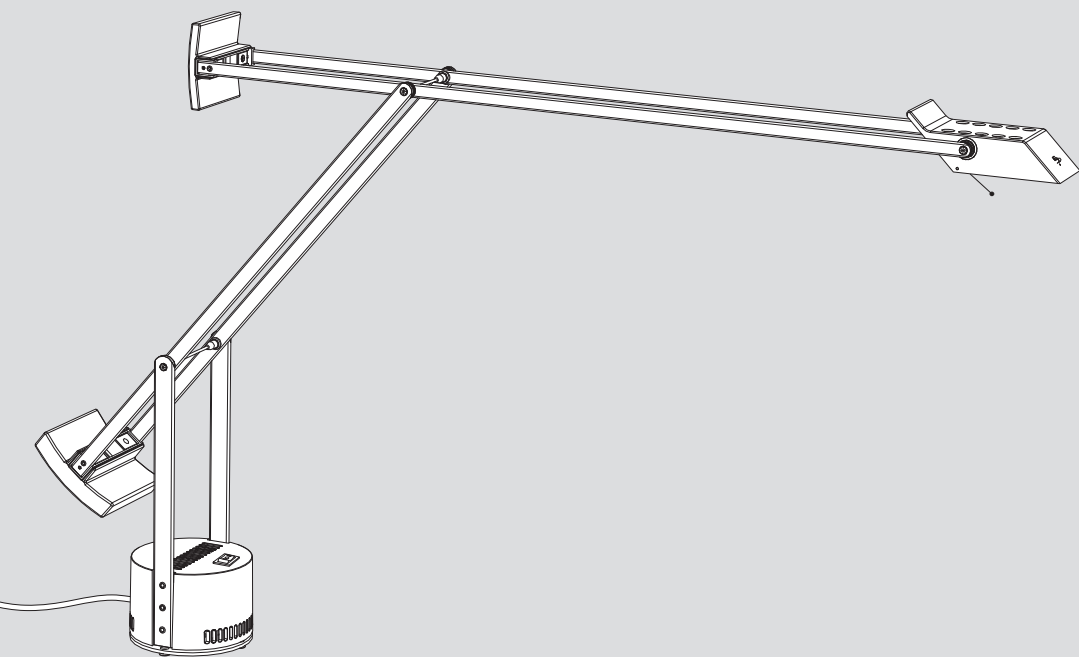


Artemide®

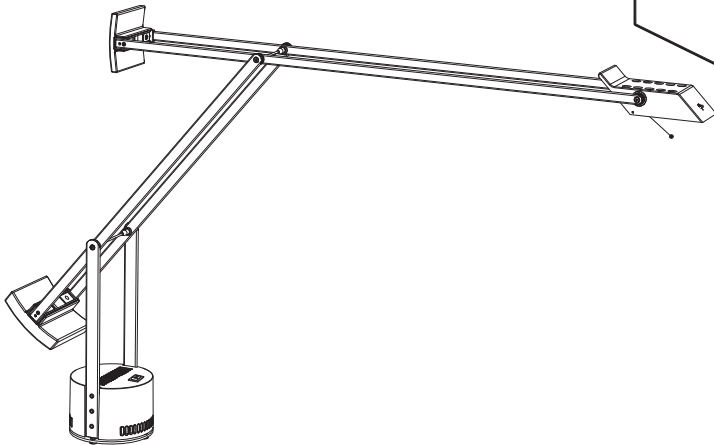
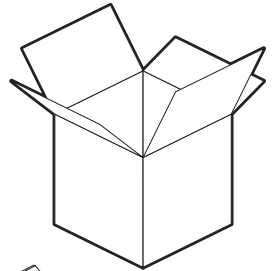
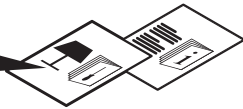
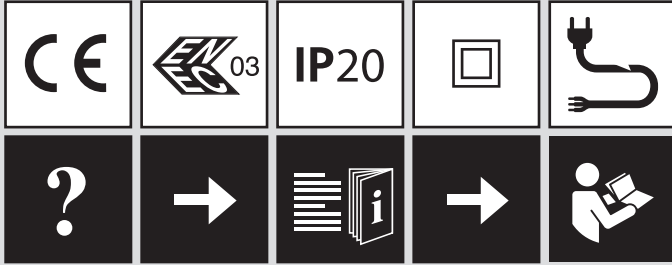
Tizio - Tizio 35

design
R. Sapper

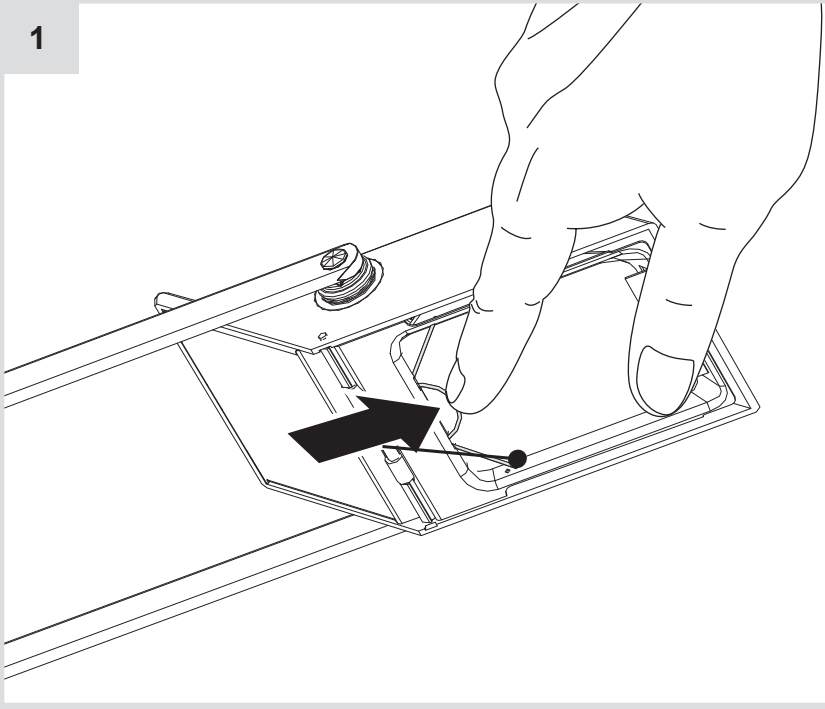




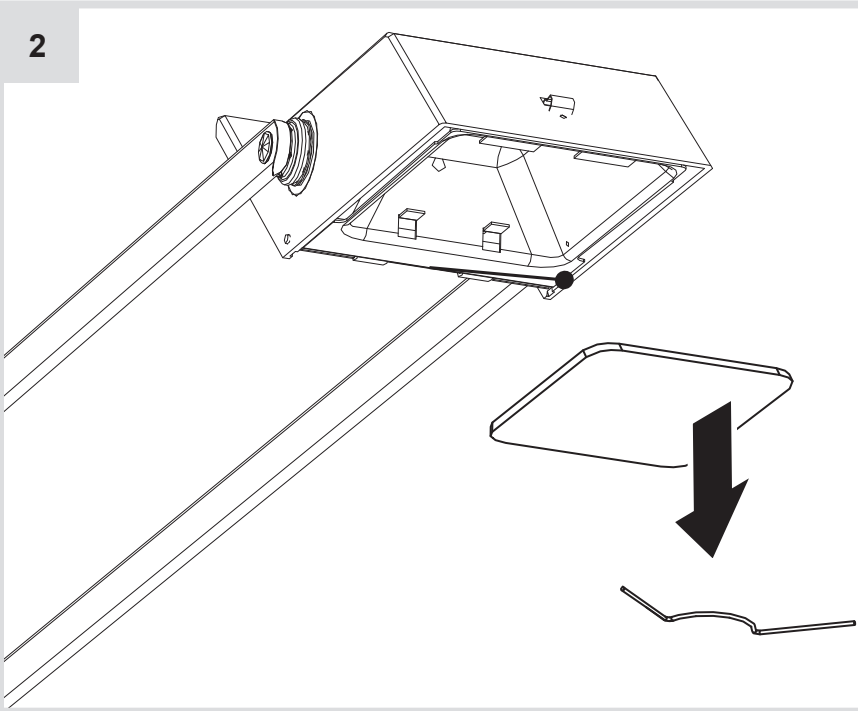
i



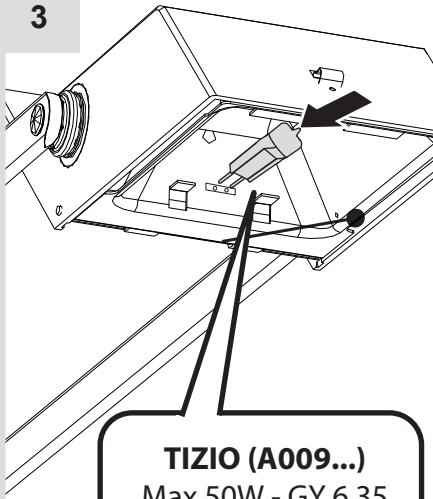
1



2

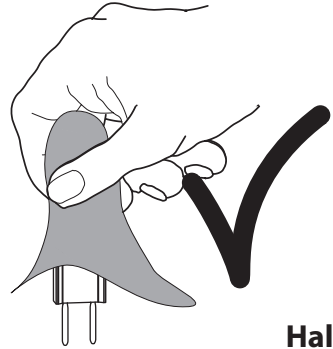
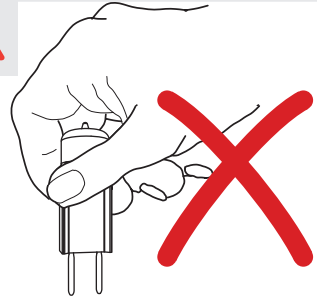


3



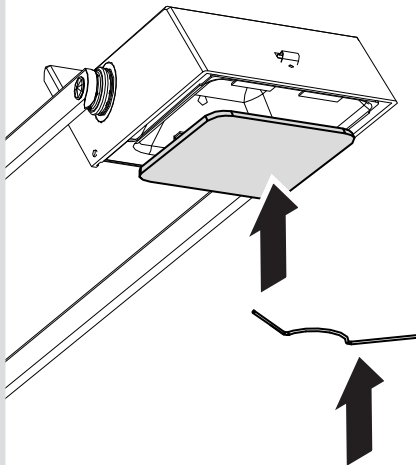
TIZIO (A009...)
Max 50W - GY 6.35

TIZIO 35 (A005...)
Max 35W - GY 6.35

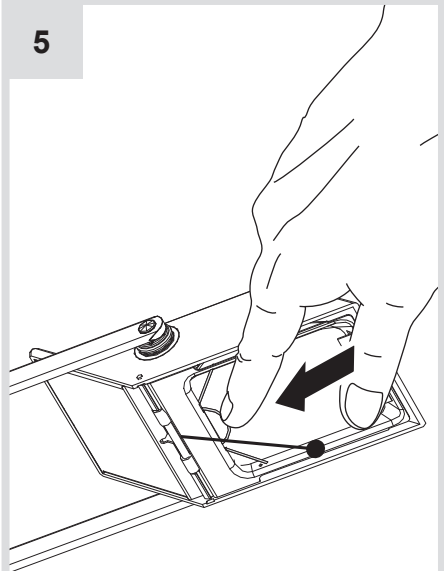


Halo

4

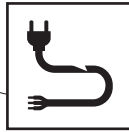
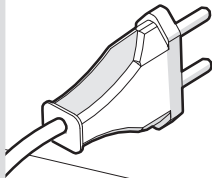
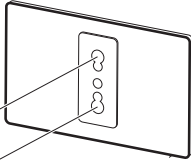
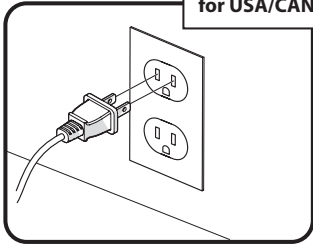


5

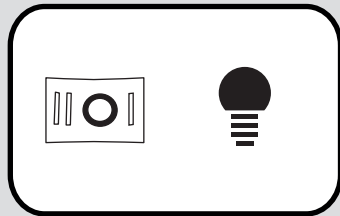
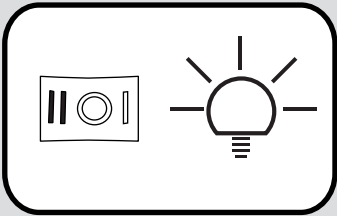
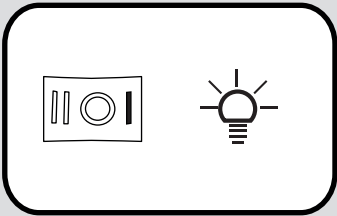
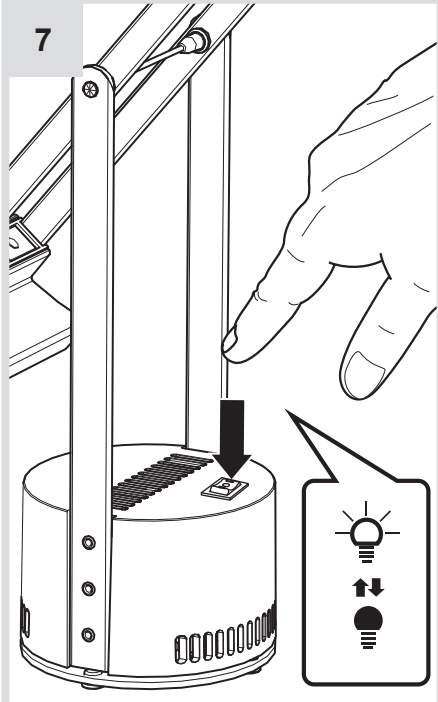


6

for USA/CANADA only



7





i

TIZIO (A009...)

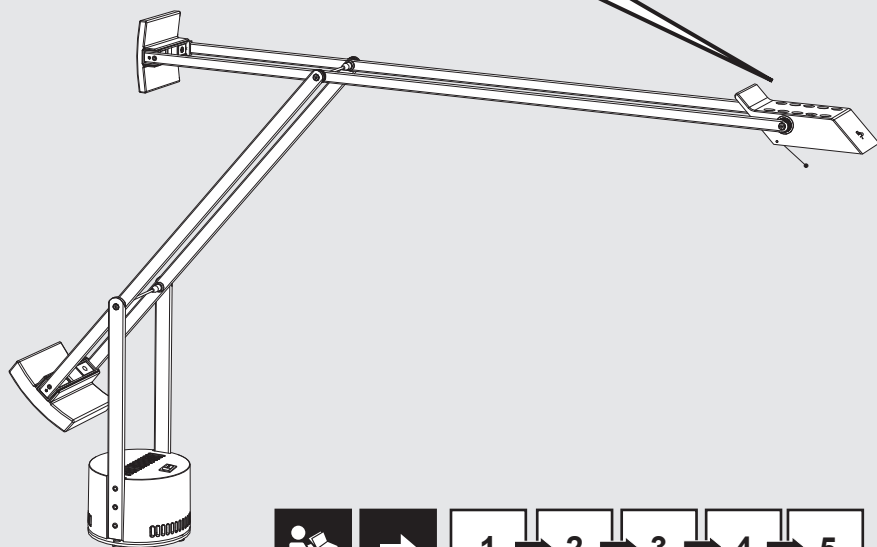
1 x Max 50W 12V - GY6.35

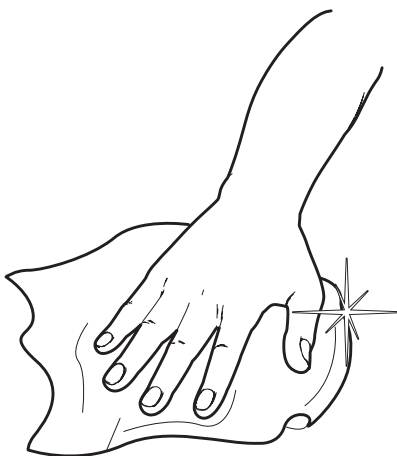
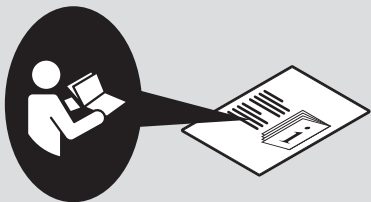
Halo: HSG - 1100 lm
LED: DRT - 180 lm

TIZIO 35 (A005...)

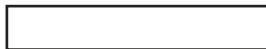
1 x Max 35W 12V - GY6.35

Halo: HSG - 800 lm
LED: DRT - 180 lm





Artemide®



Artemide

via Bergamo, 18
20010 Pregnana M.se (MI)
ITALIA

tel. +39 02 935 181
fax +39 02 935 90 254
fax +39 02 935 90 496

www.artemide.com

VAT IT00846890150

Artemide Inc.

250 Karin Lane
Hicksville, NY 11801

Tel. 631 694 9292
Toll Free 1-877-Art-9111
Fax 631 694 9275

www.artemide.net

Artemide Ltée/Ltd.

11105 rue Renaude Lapointe
Montréal, Québec H1J 2T4

Tel. 514 323 6537
Toll Free 888 777 2783
Fax 514 323 8864

www.artemide.net

cod. Y513000676