

DATE: _____ LOCATION: _____

TYPE: _____ PROJECT: _____

CATALOG #: _____

JL-ALT8-4FTAB-M24W-CCT

4FT T8 LED TUBE LIGHT (TYPE A+B)

DESCRIPTION

T8 LED Tube | Type A+B | Single or Double Ended | 10-24W | 3500K-6500K | 4FT



CONSTRUCTION

Plastic / Aluminum | 4' LED T8 Tubes | G-13 Base

ELECTRICAL

Compatible with most instant- and programmed-start electronic T8 ballasts. Bypass ballast runs on 120-277V line voltage.

INSTALLATION

Type A+B (Single-end or Double-end Wiring).

APPLICATIONS

Office Buildings/Schools/Factories/Hospitals
Suitable for dry and damp indoor locations.
Working temperature -20°C to +55°C (-4°F to +131°F).
Storage Temperature -40°C to +60°C (-40°F to +140°F).

LISTING

ETL, DLC, FCC, RoHS, CE

WARRANTY

5 Years Limited Warranty, Rated for 50,000 hours.

FEATURES

Bulb Type	T8 LED
Base Type	G13
Size	4FT
5Wattage Selectable	10W/12W/15W/18W/24W
5CCT Selectable	3500K/4000K/5000K/5700K/6500K
Efficiency	127-150lm/W
Input Voltage	120-277V AC
Frequency Range	50/60Hz
Ballast Compatibility	Type A+B
Wire Connection	Single-end or Double-end Wiring
Cover	Frosted / Clear
CRI	>80
PF	>0.95
THD	<=20%
Beam Angle:	120°
IP Rating	IP 20
Lifetime	50,000 hours



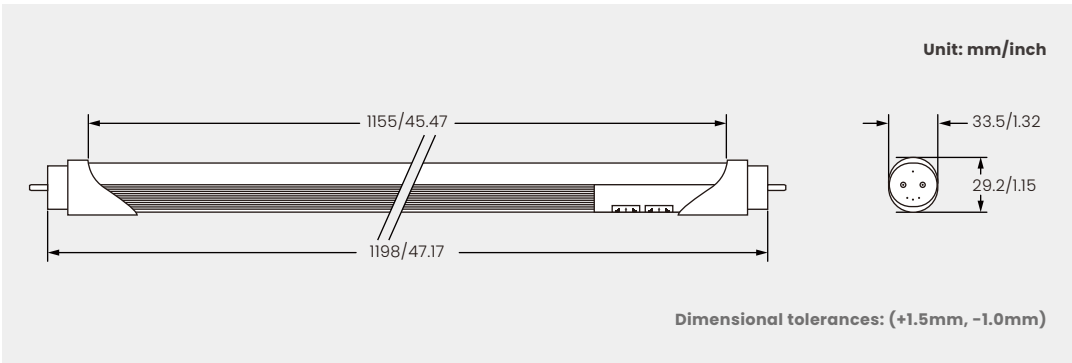
JL-ALT8-4FTAB-M24W-CCT

4FT T8 LED TUBE LIGHT (TYPE A+B)

ORDERING INFORMATION

Model	Size	Wattage	Voltage	Lumens	Efficacy	CCT	Dimensions
JL-ALT8-4FTAB-ZZW-CCT	4FT	10W, 12W, 15W, 18W, 24W	120-277V	1500lm, 1750lm, 2100lm, 2430lm, 3050lm	127- 150 lm/W	3500K, 4000K, 5000K, 5700K, 6500K	47.17"L x 1.32"W x 1.15"H

PHYSICAL SPECIFICATIONS

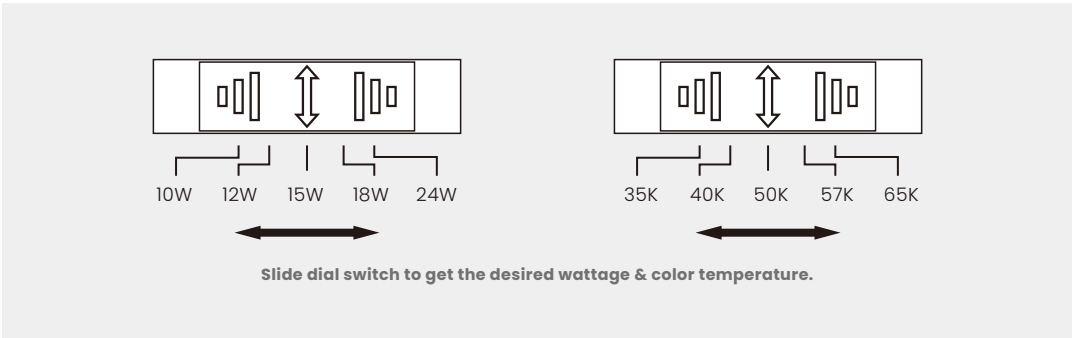


WEIGHT INFORMATION

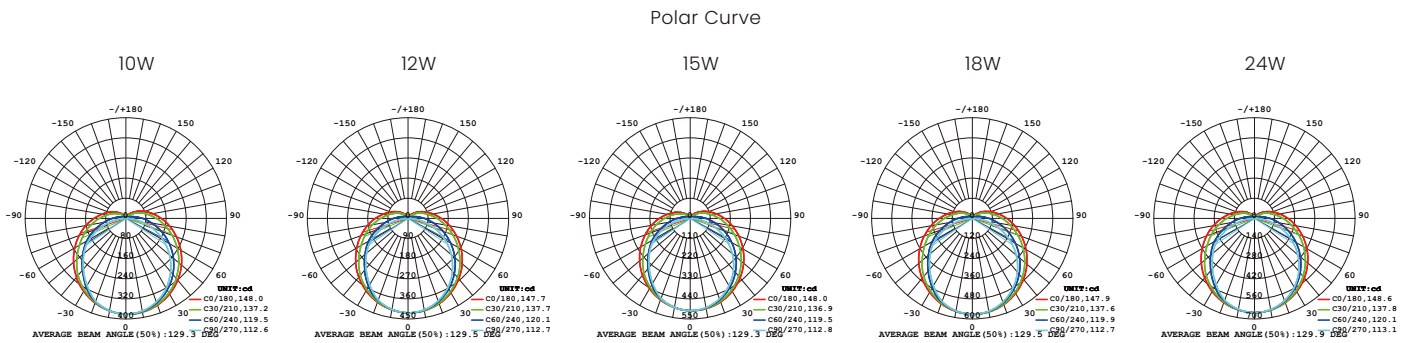
1 Piece

0.51 lbs.

WATTAGE AND CCT SWITCHABLE



PHOTOMETRIC DATA

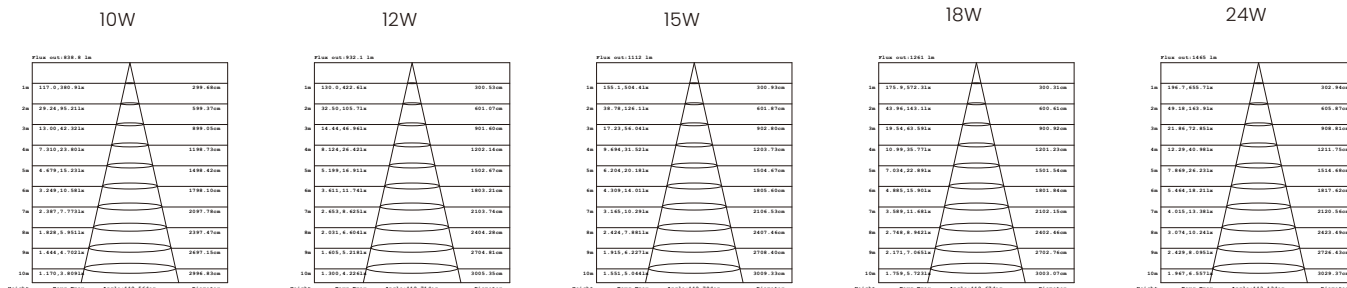




JL-ALT8-4FTAB-M24W-CCT

4FT T8 LED TUBE LIGHT (TYPE A+B)

Cone Chart

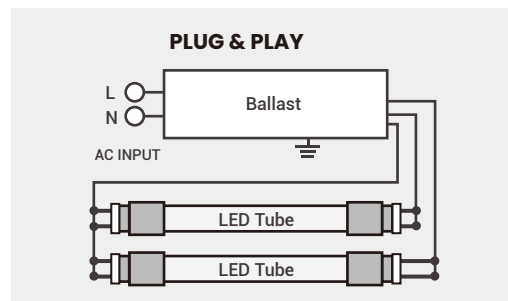


INSTALLATION INSTRUCTIONS

TYPE A INSTALLATION DIRCT REPLACEMENT (WITH EXISTING BALLAST)

* Warning: Check Ballast Compatibility List before installation

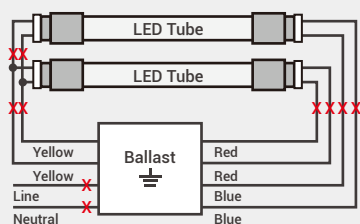
1. Turn power off.
2. Remove lens or diffuser, if applicable.
3. Remove existing fluorescent lamp(s) from the luminaire.
4. Install the LED replacement lamp(s), one lamp for each fluorescent lamp removed.
5. Replace lens or diffuser back in place, if applicable.
6. Turn power back on.



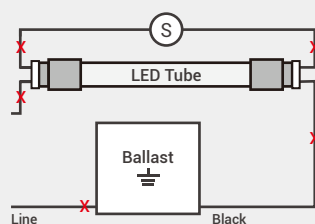
TYPE B INSTALLATION BY-PASS REPLACEMENT (WITHOUT BALLAST)

1. Disconnect power from fixture.
2. Remove fluorescent lamps.
3. Remove lens and wiring compartment, if applicable.
4. Cut all wires connected to ballast (see **Figure A**: Typical Ballast Configurations).

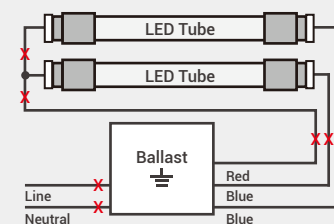
Figure A



PROGRAM START

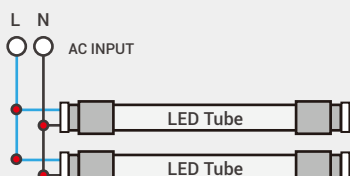


PREHEAT WITH STARTER

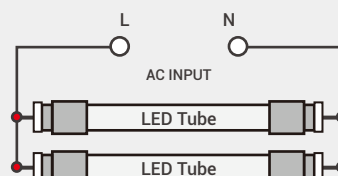


INSTANT START

BY-PASS



Single-ended input



Double-ended input