



Mounting Ring (Sold Separately)

## Features

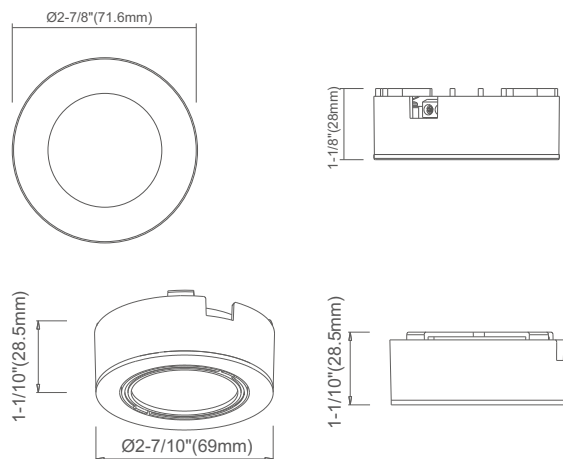
- 3-color field selectable CCT - 3000K, 4000K, 5000K
- Fire-resistant PC & die-cast aluminum material with frosted PMMA lens
- Input: 12V AC/12V DC
- Superior LED performance and lifespan
- Can be used indoors
- Dimmable with most low-voltage electronic dimmers when used with Adision's dimming power supply
- Can be installed wherever light is needed and easily connected in daisy-chain fashion to provide uniform illumination
- Easy installation: recessed mount or surface mount
- Can be interconnected, up to a maximum of 8 puck lights per transformer box



Durable Slide Switch Adjustable CCT, can be set to 3000K, 4000K or 5000K



## DIMENSION

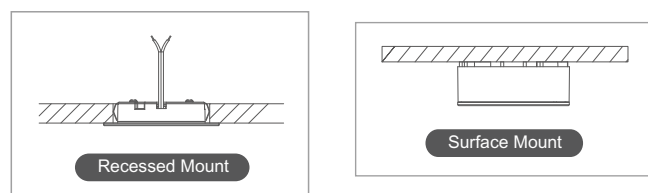


SPECIFICATIONS	
Model	AD1133CCTYY
Watts	3W
Light Output(lm)	200lm
Color Temperature(K)	Field selectable 3CCT(3000K/4000K /5000K)
CRI	80Ra+
Input Voltage	12VAC/12VDC
Dimming	Triac Dimming
Power Factor	>0.9
Approved Location	Damp Location
Operating Temp.	(-4°F~104°F) -20~40°C
Beam Angle	120°

PACKAGE	
Weight.(g)	430g
Qty/CTN (pcs)	96pcs/CTN
Box Dimension	355*225*195mm
Gross Weight	4kg/CTN

Notes:  
 \* XX represents different CCT, 27 for 2700K; 3 for 3000K; 35 for 3500K; 4 for 4000K; 5 for 5000K  
 \* YY represents different color finish, WH for white; BN for brushed nickel; BK for Black; BZ for Bronze.  
 Example: AD1133CCTWH

## INSTALLATION



## ACCESSORIES



HBL024-120-12-D  
24W 12VDC Driver



HBL060-120-12-D  
60W 12VDC Driver