

WPX Wall Packs

WARNING: Ensure power is off before installation, wiring, or performing any maintenance on the fixture.

IMPORTANT: Apply a bead of silicone to top and side of fixture where it meets the wall or mounting surface to prevent water ingress from back of fixture. **FAILURE TO DO SO WILL VOID WARRANTY.**

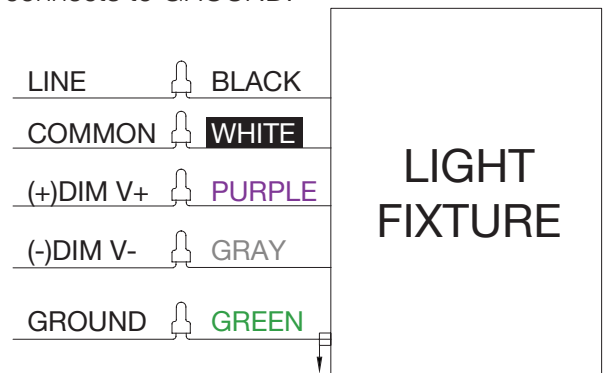
WIRING

Black wire connects to L / **White** wire connects to N / **Green** wire connects to GROUND.

1. Turn off the power.
2. Connect the BLACK wire with the LINE.
3. Connect the WHITE wire with the COMMON.
4. Connect the GREEN wire with the GROUND.

CAUTION: DO NOT connect the GRAY (-)DIM V- wire with GROUND.

5. Connect the PURPLE wire with the (V+) DIM.
6. Connect the GRAY wire with the (V-) DIM.

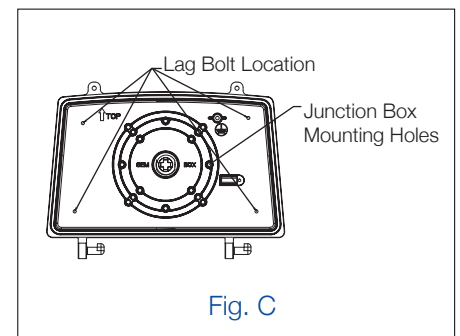
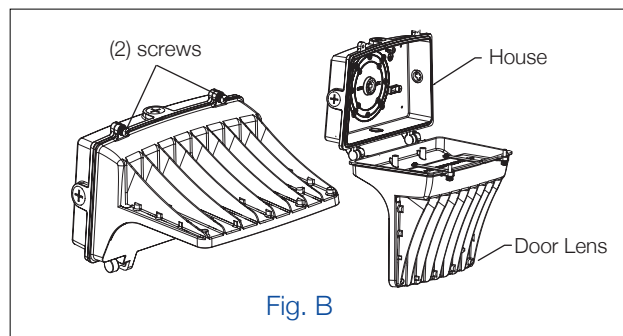
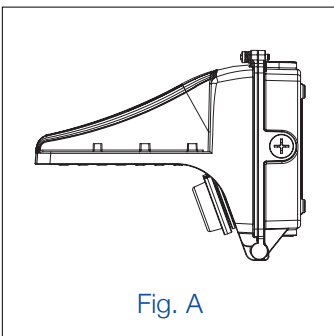


INSTALLATION

TOOLS REQUIRED: Phillips screwdriver and electrical wiring tools.

NOTE: The fixture must be mounted on the wall with the lens facing down (Fig A).

1. Unscrew cover with Philips screwdriver by loosening (2) screws (Fig B). Confirm junction box size and mounting provisions to that of the light fixture (Fig C).
2. Attach the light fixture to the junction box or mounting surface.
3. Connect the appropriate wires to the light fixture wires, green to green, black to black and white to white. Secure each wire pair with a wire nut. (Wiring instruction FYI.)
4. Close the cover and tighten (2) screws on the door lens. Ensure gasket is firmly sealed when cover is closed.



CAUTION

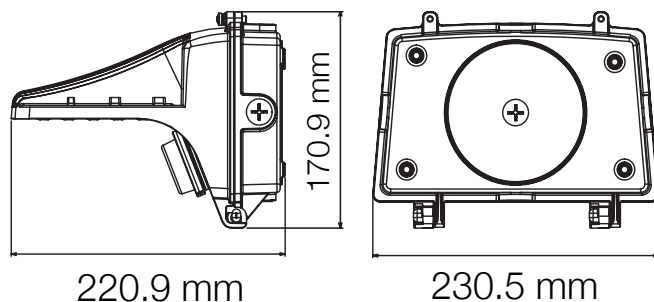
- This fixture must be wired according to applicable local codes and ordinances.
- Proper grounding is required to ensure personal safety. Carefully observe the correct grounding procedure under the installation section.
- Ensure power is off before installation, wiring or performing any maintenance on the fixture.
- Check that voltage is compatible with fixture driver, use approved connectors for all electrical connections.

WARRANTY

10-YEAR WARRANTY

This product is warranted for 10 years from date of purchase against manufacturers defects and will be repaired or replaced at CSC LED discretion. This warranty does not include incidental or consequential damages including, but not limited to, labour.

DIMENSIONS



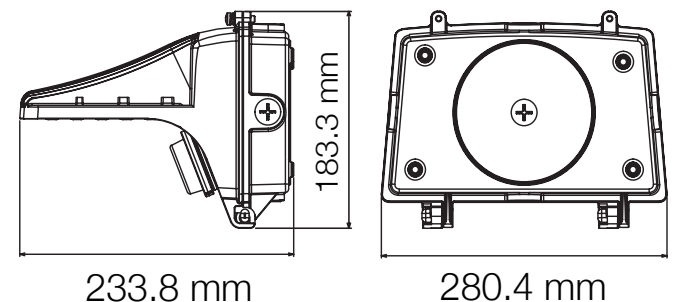
30W / 50W

MAINTENANCE CAUTION

- Review the diagrams before beginning and ensure the fixture is properly grounded.
- Turn off the power and wait for fixture to cool.
- This fixture must be installed or maintained in accordance with the local code by a professional who is familiar with the construction, hazards, and operation of the product.

CLEANING

1. Before touching fixture, make sure the fixture is cool.
2. Do not clean or maintain while the fixture is energized.
3. Clean lens and fixture with a non-abrasive glass cleaning solution.
4. Do not open the fixture and touch LED chips.



80W / 100W / 120W