

WARNINGS



RISK OF FIRE, ELECTRICAL SHOCK, CUTS OR OTHER CASUALTY HAZARDS

Installation and maintenance of this product must be performed by a qualified electrician. This product must be installed in accordance with the applicable installation code by a person familiar with the construction and operation of the product and hazards involved.

RISK OF FIRE AND ELECTRIC SHOCK

Make certain power is OFF before starting installation or attempting any maintenance. Disconnect power at fuse or circuit breaker.

RISK OF FIRE

Refer to product label for specific minimum supply conductor requirements.

RISK OF BURN

Disconnect power and allow fixture to cool before handling or servicing.

RISK OF PERSONAL INJURY

Fixture may become damaged and/or unstable if not installed properly.

DISCLAIMER OF LIABILITY: CSC LED assumes no liability for damages or losses of any kind that may arise from the improper, careless, or negligent installation, handling or use of this product.

NOTICE: Green ground wire is provided in proper location. Do not relocate.

SAFETY: This fixture must be wired in accordance with the National Electrical Code and applicable local codes and ordinances. Proper grounding is required to ensure personal safety. Carefully observe grounding procedure under installation section.

APPLICATIONS: This lighting fixture is designed for indoor lighting applications, and should not be used in an area with limited ventilation or inside high ambient temperature enclosures. It must be stored in a dry location prior to installation.

ATTENTION RECEIVING DEPARTMENT: Note actual fixture description of any shortage or noticeable damage on delivery receipt. File claim for common carrier (LTL) directly with carrier. Claims for concealed damage must be filed within 15 days of delivery. All damaged material, complete with original packaging must be retained.

SURFACE MOUNT INSTALLATION

1. Use the provided mounting screws to secure the Surface Mounting Brackets to Mounting Surface (Fig. 1). See Table 1 for the recommended Surface Mounting Bracket distance from center to center.
2. Attach the back of the luminaire's housing into the mounting brackets (Fig. 2). Ensure the LED tray is secured with the safety tethers. Unlatch the Lens and Tray Assembly from Housing (Fig. 3).
3. Install the cable gland to the end of the housing. Insert the flexible power cable (not included) through the cable gland allowing for sufficient length of stripped cable inside the housing and tighten the gland. Insert supplied plug into unused conduit hole.
4. Make electrical connections (see wiring instruction on reverse).
5. Secure the lens and tray assembly to housing by clamping down the latch.
6. Fasten and secure lens cover using latches (Fig. 4).
7. Restore power to the luminaire (Fig. 5).

Surface Mounting Bracket Distance (center to center)	
2 ft fixture	13.75"
4 ft fixture	31.75"
8 ft fixture	54.24"

Table.1

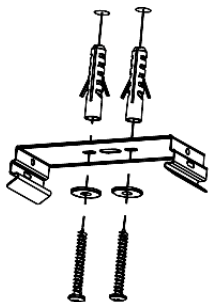


Fig. 1

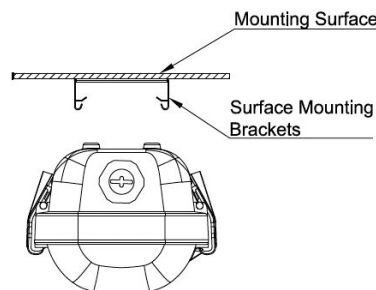


Fig. 2

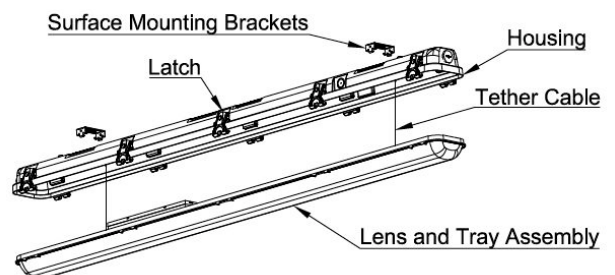


Fig. 3

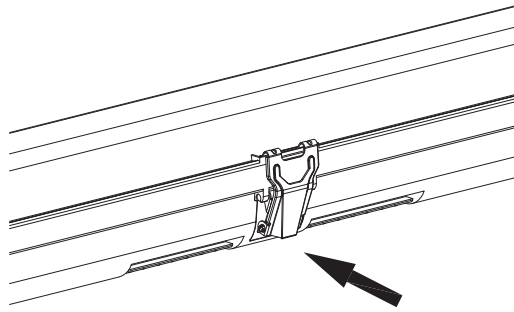


Fig. 4

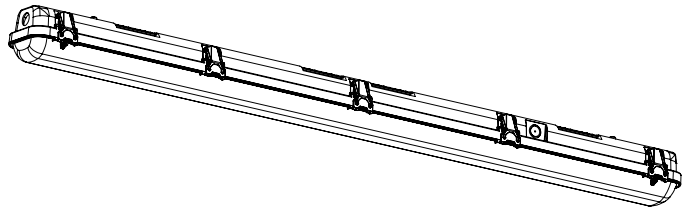


Fig. 5

SUSPENSION MOUNTING INSTALLATION

1. Secure Surface Mounting Brackets to Housing (Fig.6).
2. Install the V-Hook on Surface Mounting Bracket (Fig.6).
3. To suspend Housing, connect each V-Hook to two equal lengths of chain (not supplied) and/or appropriate hardware suitable for mounting surface. Chains must be suitable to support four times the weight of the fixture.

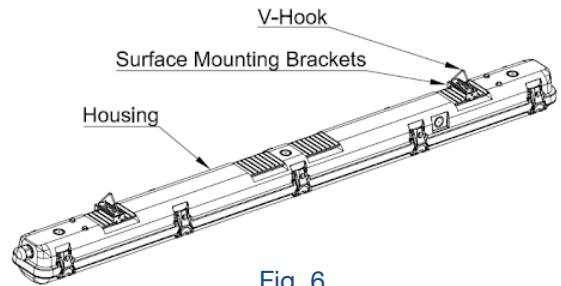


Fig. 6

WIRING INSTRUCTION

Make the necessary wiring connections as shown in the wiring diagram (Fig. 7).

Cap the 12V+ and GND if the sensor is not used.

The polarity of the dimming connections is important to ensure the performance as desired.

If not using the dimming functionality, DO NOT connect the Driver Dim+ (Purple) and the Driver DIM- (Pink).

Please cap the DIM wires if not in use.

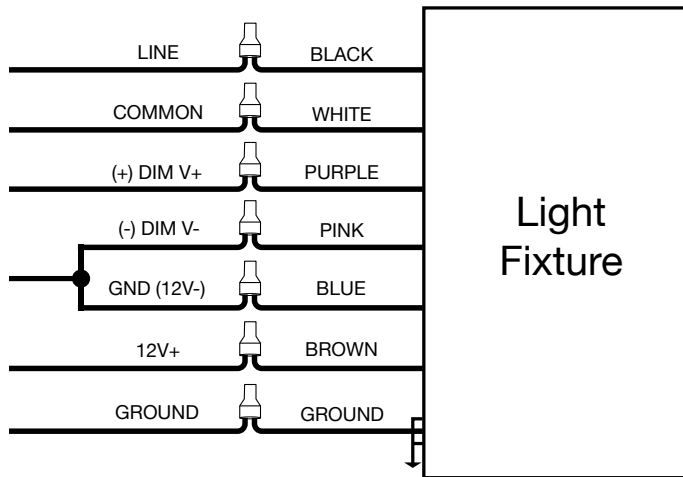


Fig. 7

Questions
or Concerns?
We are happy to help!

Email Us: info@csc-led.com
Call Us: 1-888-900-9885