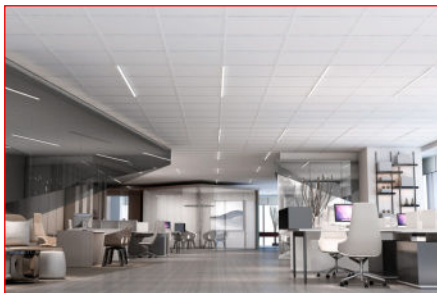


T-Bar Integrated Luminaire

10W | 4000K | 2ft

Ideal for office buildings, medical, health and educational buildings, hotels, airports and more. Create your own custom look.

Replaces Standard T-BAR Cross Tees.



Seamless Integration
into suspended ceilings allows
unique and elegant architectural
lighting designs

Slim Profile
0.48" thickness

15/16"



Frosted Lens and 6 ft
Power Cable with RJ45
Jack

1 power supply (TBAR-PS-30W) required for 3 pieces of T-Bar.
Optional 9/16" Clear Diffuser and Lens Diffuser available (sold separately).



Power Supply
TBAR-PS-30W

TECHNICAL DATA

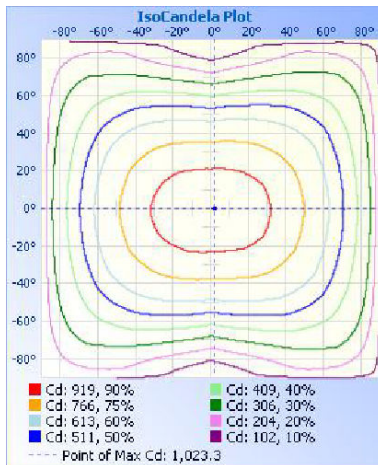
LIGHT SPECIFICATIONS

Lumens	1,300 lm
Efficacy	130 lm/W
CCT	4000K
CRI	80
Beam angle	120°
Dimmable	0-10V
L70 Life	50,000 hrs
Warranty	5-year

APPROVALS AND LISTINGS

cUL	E491106
-----	---------

ISOCANDELA PLOT



ILLUMINANCE AT A DISTANCE

	Center Beam fc	Beam Width
3.3ft	93.6 fc	9.3 ft 18.5 ft
6.7ft	22.7 fc	18.9 ft 37.5 ft
10.0ft	10.2 fc	28.1 ft 56.0 ft
13.3ft	5.76 fc	37.4 ft 74.5 ft
16.7ft	3.65 fc	47.0 ft 93.5 ft
20.0ft	2.55 fc	56.3 ft 112.0 ft

■ Vert. Spread: 109.2°
■ Horiz. Spread: 140.7°

ELECTRICAL

Wattage	10W
Voltage	120-277V
Power factor	0.9
THD	15%

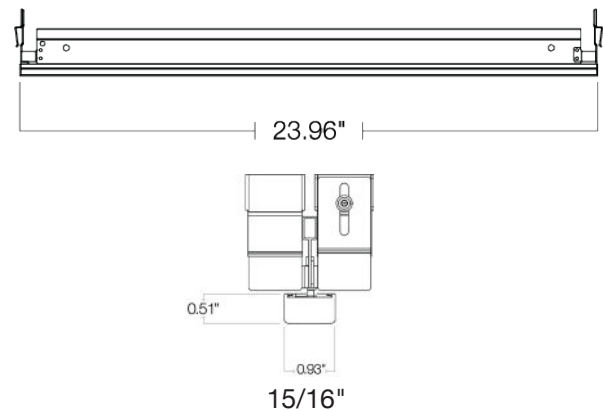
CONSTRUCTION

Housing	Aluminum
Finish	Silver
Unit gross weight	1.25 lbs
Carton weight	11.5 kg
Carton dimensions	64.5 x 54 x 19.5 cm

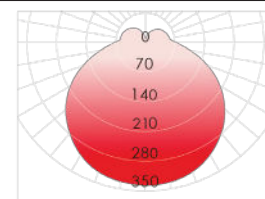
ACCESSORIES (Ordered Separately)

Power Supply	TBAR-PS-30W
--------------	-------------

DIMENSIONS



LUMINOUS INTENSITY DISTRIBUTION DIAGRAM



2FT (15/16")
 Average Beam
 Angle (50%):
 122.8°

Western Canada Warehouse: 121-1647 Broadway Street, Port Coquitlam, BC V3C 6P8 | ordersbc@csc-led.com