

End Feed Track Accessory - Single

Model No. TA006-SF-WH

Project Details

Job Name	<input type="text"/>
Location	<input type="text"/>
Type/Qty	<input type="text"/>
Contact Info	<input type="text"/>
Note	<input type="text"/>

Features

- Feeds power to your Track from above with flexible conduit, BX, etc.
- Compatible with all Kendal linear Tracks
- Adds 4 1/2 inches to total length of Track once inserted
- 120V / 20 Amp rated
- ETL approval ensures both safety and quality

SPECIFICATION

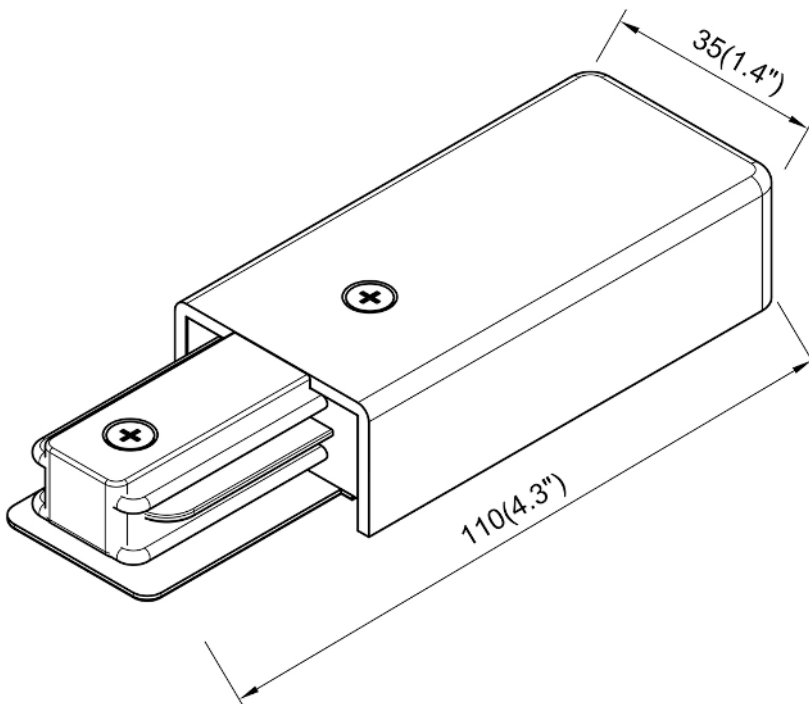
OAH (in.)	0.75
Overall Width (in.)	4.5
OA Depth (in.)	1.4
Dimmable	Yes
Voltage	120V AC 60Hz
Certifications and Listings	ETL Listed
Warranty	1 Year

LED Info



Description

End Feed - Single - in a White finish



KENDAL Lighting (BC) Inc.

#110, 6780 Dennett Place Delta, B.C. V4G 1N4 Ph: (604) 952-5510 · Toll Free: 1-888-306-3267

info@kendallighting.com www.kendallighting.com