

Straight Joiner Track Accessory

Model No. TA002-BST

Project Details

Job Name	<input type="text"/>
Location	<input type="text"/>
Type/Qty	<input type="text"/>
Contact Info	<input type="text"/>
Note	<input type="text"/>

Features

- "I" Joiner to connect 2 Lighting Tracks together to form one single run in a straight line
- Compatible with all Kendal linear Tracks
- Adds only 3/8 of an inch to total length of Track once inserted
- 120V / 20 Amp rated
- Finish compliments both Brushed Steel and Satin Nickel Tracks
- ETL approval ensures both safety and quality

SPECIFICATION

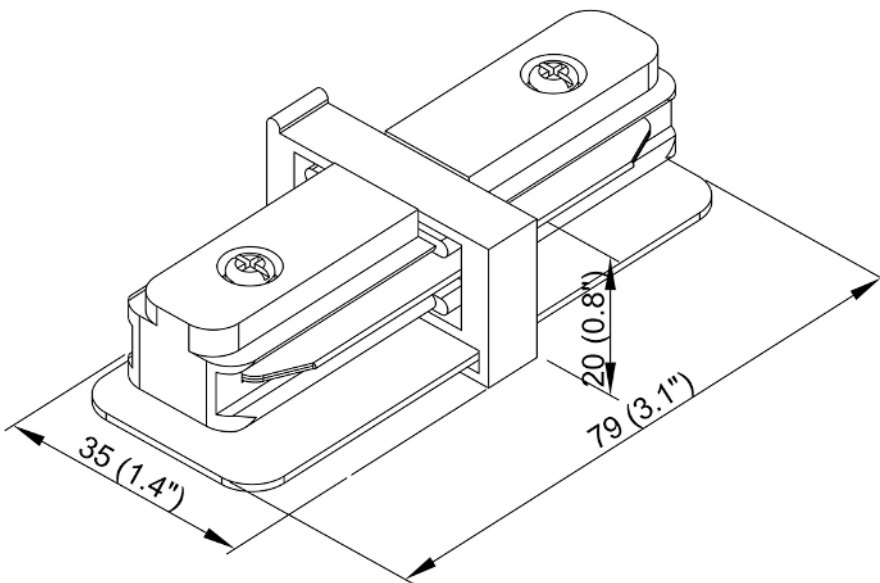
OAH (in.)	0.75
Overall Width (in.)	3.3
OA Depth (in.)	1.4
Dimmable	Yes
Voltage	120V AC 60Hz
Certifications and Listings	ETL Listed
Warranty	1 Year

LED Info



Description

Straight Connector in a Brushed Steel finish



KENDAL Lighting (BC) Inc.

#110, 6780 Dennett Place Delta, B.C. V4G 1N4 Ph: (604) 952-5510 · Toll Free: 1-888-306-3267

info@kendallighting.com www.kendallighting.com