

Floating Canopy Track Accessory

Model No. TA001-ORB

Project Details

Job Name	<input type="text"/>
Location	<input type="text"/>
Type/Qty	<input type="text"/>
Contact Info	<input type="text"/>
Note	<input type="text"/>

Features

- Floating Canopy power feed for Kendal linear track system
- Feeds power from any standard electrical box to any point on the Track where it Completely crosses the box
- Connector block has (2) 6" 12 AWG 600V lead wires
- Includes Mounting Hardware and Ground clip
- 120V / 20A Rated
- ETL approval ensures both safety and quality

SPECIFICATION

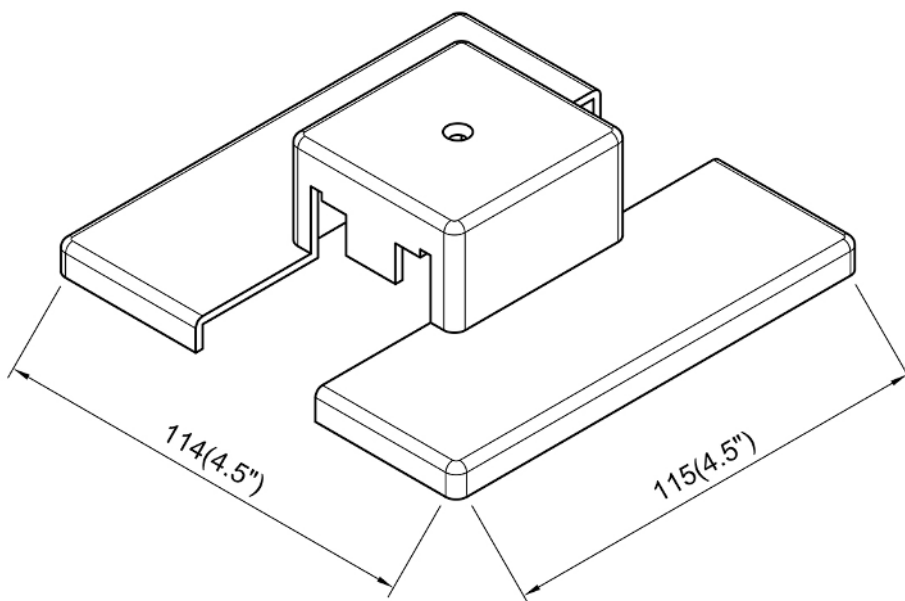
OAH (in.)	1.5
Overall Width (in.)	4.5
OA Depth (in.)	4.5
Dimmable	Yes
Voltage	120V AC 60Hz
Certifications and Listings	ETL Listed
Warranty	1 Year

LED Info



Description

Floating Canopy in an Oil Rubbed Bronze finish



KENDAL Lighting (BC) Inc.

#110, 6780 Dennett Place Delta, B.C. V4G 1N4 Ph: (604) 952-5510 · Toll Free: 1-888-306-3267

info@kendallighting.com www.kendallighting.com