

WARNINGS



RISK OF FIRE, ELECTRICAL SHOCK, CUTS OR OTHER CASUALTY HAZARDS

Installation and maintenance of this product must be performed by a qualified electrician. This product must be installed in accordance with the applicable installation code by a person familiar with the construction and operation of the product and hazards involved.

RISK OF FIRE AND ELECTRIC SHOCK

Make certain power is OFF before starting installation or attempting any maintenance. Disconnect power at fuse or circuit breaker.

RISK OF FIRE

Refer to product label for specific minimum supply conductor requirements.

RISK OF BURN

Disconnect power and allow fixture to cool before handling or servicing.

RISK OF PERSONAL INJURY

Fixture may become damaged and/or unstable if not installed properly.

DISCLAIMER OF LIABILITY: CSC LED assumes no liability for damages or losses of any kind that may arise from the improper, careless, or negligent installation, handling or use of this product.

NOTICE: Green ground wire provided in proper location. Do not relocate.

ATTENTION RECEIVING DEPARTMENT: Note actual fixture description of any shortage or noticeable damage on delivery receipt. File claim for common carrier (LTL) directly with carrier. Claims for concealed damage must be filed within 15 days of delivery. All damaged material, complete with original packing must be retained.

SAFETY: This fixture must be wired in accordance with the National Electrical Code and applicable local codes and ordinances. Proper grounding is required to insure personal safety. Carefully observe grounding procedure under installation section.

APPLICATIONS: This lighting fixture is designed for outdoor lighting services, and should not be used in area of limited ventilation or inside high ambient temperature enclosures. It must be stored in a dry location prior to installation. Do not expose lighting fixture to rain, dust or other environmental conditions prior to installation and insertion of photo control or shorting cap (if so equipped). Best results will be obtained if installed and maintained according to the following recommendations.

INSTALLATION

1. Discard the shipping brackets by removing the allen bolts that hold them in place. Keep the bolts as they will be required to secure the fixture when rotated for installation (Figure 1).
2. After rotating the head 90 degrees, tighten the supplied bolts on both sides of the bracket (Figure 2). Loosen the bolts on the pole mount to accommodate the desired pole diameter (Figure 3).
3. Splice the supply power leads to the fixture power leads, black to black/brown (line), white to white/blue (neutral), and green to green/yellow (ground). *See next page for wiring diagram.*
4. Install the lamp on to the pole, adjust the viewing angle, then tighten the bolts with an allen wrench (Figure 4).

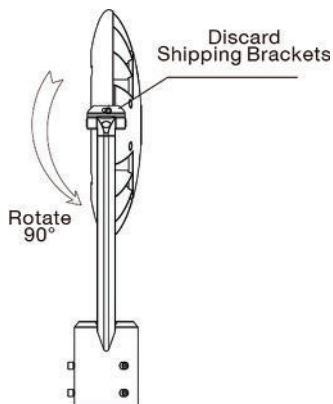


Figure 1

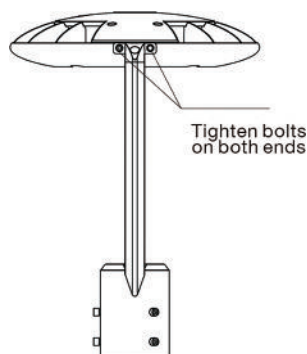


Figure 2

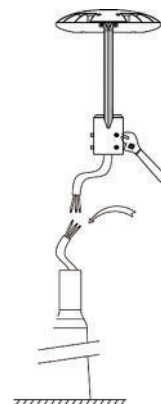


Figure 3

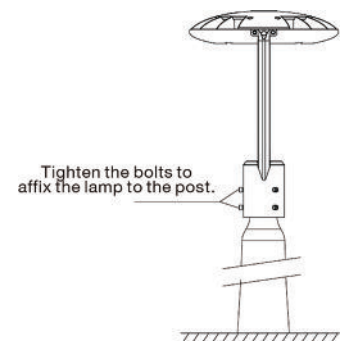


Figure 4

PHOTOCELL OR SHORTING CAP

A photocell or shorting cap is required for proper lamp operation. See photocell instructions for installation details (Figure 5).

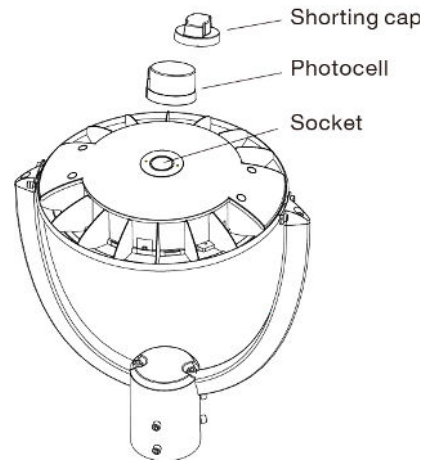
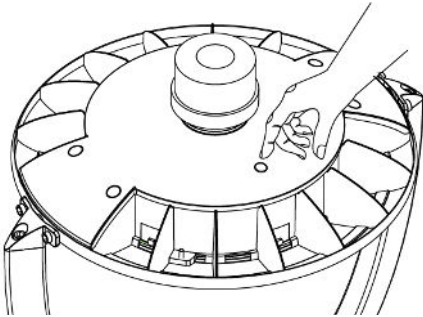


Figure 5

ADJUSTING COLOUR TEMPERATURE

35W / 55W / 75W Models

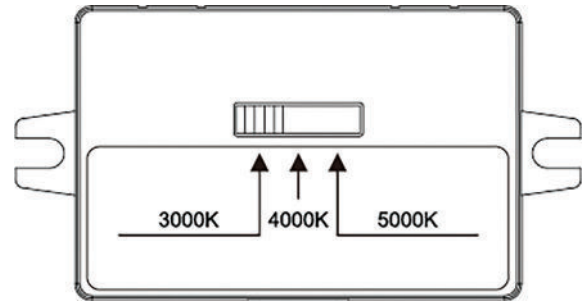
Press the button on the top of the fixture to cycle through the colour temperatures.



ADJUSTING COLOUR TEMPERATURE

100W / 150W Models

Move the selector switch (located inside the driver compartment) to the desired colour temperature.



WIRING AND MOUNTING

