

High Bay

Power Selectable | Colour Selectable | 120-347V

HB8 HIGH BAY

The successor to our best-selling HB7C High Bays!
Ideal for warehouses, factories, gas stations, gymnasiums, grocery stores, food processing facilities, and more

Newly Designed,
Shatterproof
Polycarbonate Optics
meet/exceed DLC 5.1
glare standards



NEMA 4X



Power Selectable
200W / 220W / 240W

Instant Start and
0-10V Dimmable

Complete with 6'
Cord Whip



Long Life, Elevated Driver
for cooler operation

Colour Selectable
3000K / 4000K / 5000K

Polyester Powder
Coat Finish
black

TECHNICAL DATA



LIGHT SPECIFICATIONS

Efficacy*	137 lm/W
CCT	3000K / 4000K / 5000K
CRI	81
Beam Angle	90°
Dimmable	0-10V
L70 Life	50,000 hrs
Warranty	5-year

*Shown at 240W and 3000K

	3000K	4000K	5000K
200W	27842 lm	29483 lm	29695 lm
220W	29027 lm	34213 lm	31707 lm
240W	33267 lm	36614 lm	35155 lm

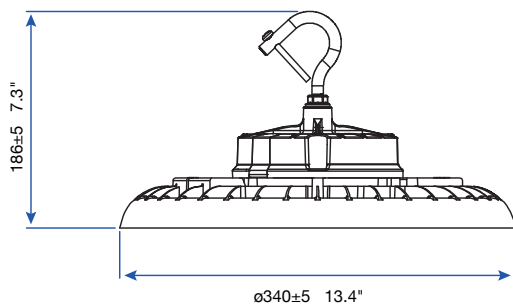
APPROVALS & LISTINGS

cUL	E482965
DLC Premium	S-NSK8ZH

DIMENSIONS AND WEIGHTS

Fixture Weight	6.83 lbs
Fixture Dimensions	11 x 11 x 7.3 in
Carton Qty	1
Carton Weight	7.94 lbs
Carton Dimensions	13.4 x 13.4 x 7.3 in

DIMENSIONAL DRAWING



ELECTRICAL

Wattage	200W / 220W / 240W
Voltage	120-347V
Current	2.70A
Surge Protection	6kV
Auxiliary Output	12V
Power Factor	0.9
THD	15%
Operating Temp	-40 to 50°C

CONSTRUCTION

Cord Whip	6'
Housing	Die-Cast Aluminum
Lens	Polycarbonate
Finish	Powder Coated
Finish Colour	Black
IP Rating	IP65

ACCESSORIES (Ordered Separately)

Polycarbonate Reflector	HB8-PC-REF-LG
Polycarbonate Cover	HB8-PC-REF-RG-BCV
Aluminum Reflector	HB8-AL-REF-LG
Wire Guard	HB8-WG-LG
Yoke Mount	HB8-YK-LG
Microwave Sensor	MS04-MW-TW-DC
Infrared Motion Sensor	MS01-PIR-TW-DC
Motion Sensor Remote	HB01R
Frosted Lens	HB8-FR-LENS-LG
120° Optics	HB8-120D-LENS-LG
60° Optics	HB8-60D-LENS-LG
Safety Cable	HB8-CABLE
Eye Bolt	HB8-EB

NOTE: HB01R is required for the HB01DMS-A and MS01-PIR-TW-DC to function