

WARNINGS



RISK OF FIRE, ELECTRICAL SHOCK, CUTS OR OTHER CASUALTY HAZARDS

Installation and maintenance of this product must be performed by a qualified electrician. This product must be installed in accordance with the applicable installation code by a person familiar with the construction and operation of the product and hazards involved.

RISK OF FIRE AND ELECTRIC SHOCK

Make certain power is OFF before starting installation or attempting any maintenance. Disconnect power at fuse or circuit breaker.

RISK OF FIRE

Refer to product label for specific minimum supply conductor requirements.

RISK OF BURN

Disconnect power and allow fixture to cool before handling or servicing.

RISK OF PERSONAL INJURY

Fixture may become damaged and/or unstable if not installed properly.

DISCLAIMER OF LIABILITY: CSC LED assumes no liability for damages or losses of any kind that may arise from the improper, careless, or negligent installation, handling or use of this product.

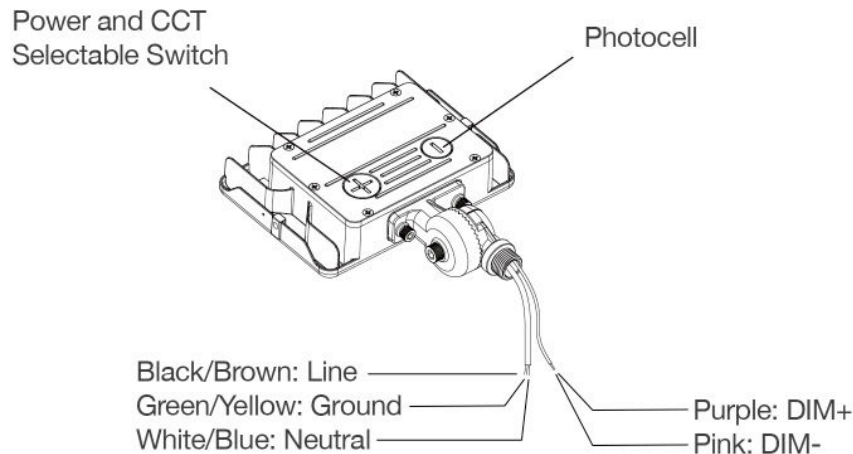
NOTICE: Green ground wire provided in proper location. Do not relocate.

SAFETY: This fixture must be wired in accordance with the National Electrical Code and applicable local codes and ordinances. Proper grounding is required to insure personal safety. Carefully observe grounding procedure under installation section.

APPLICATIONS: This lighting fixture is designed for outdoor lighting services, and should not be used in area of limited ventilation or inside high ambient temperature enclosures. It must be stored in a dry location prior to installation. Do not expose lighting fixture to rain, dust or other environmental conditions prior to installation and insertion of photo control or shorting cap (if so equipped). Best results will be obtained if installed and maintained according to the following recommendations.

ATTENTION RECEIVING DEPARTMENT: Note actual fixture description of any shortage or noticeable damage on delivery receipt. File claim for common carrier (LTL) directly with carrier. Claims for concealed damage must be filed within 15 days of delivery. All damaged material, complete with original packing must be retained.

WIRING DIAGRAM



THREADED KNUCKLE INSTALLATION

1. Pull the wires through the top part of the knuckle mount and affix it to the luminaire with the screws provided (Fig. 1.1).
2. Align the rubber gasket to the knuckle mount. Then pull the wire through the hole of the bottom part of the knuckle mount (Fig. 1.2). Please be careful and do not pinch the wires.

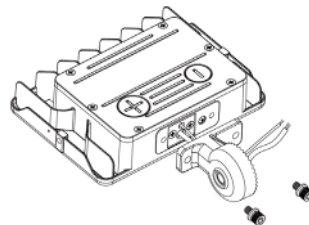


Fig. 1.1

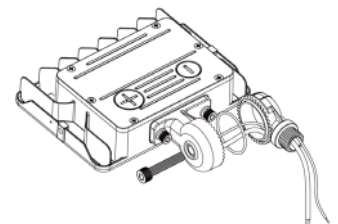


Fig. 1.2

See reverse for remaining figures

THREADED KNUCKLE INSTALLATION

3. Connect both parts of the knuckle mount using the bolt provided (Fig. 1.3).
4. Complete wire connections in pole or junction box (Fig 1.4). Please ensure that the luminaire is wired in accordance with the National Electrical Code and applicable local codes and ordinances. Proper grounding is required to ensure personal safety.
5. Loosen the bolt and adjust the knuckle mount's angle as desired, then tighten the bolt to lock into place (Fig. 1.5).
6. Pass threads of knuckle mount through mounting surface and secure with lock nut (Fig. 1.6).

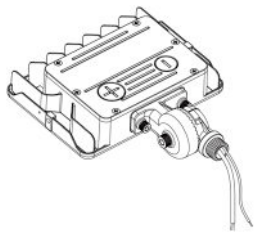


Fig. 1.3

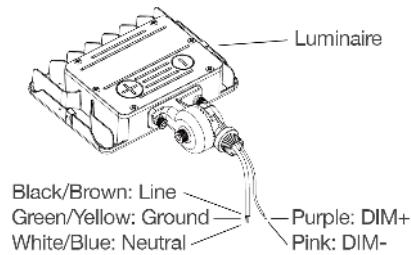


Fig. 1.4

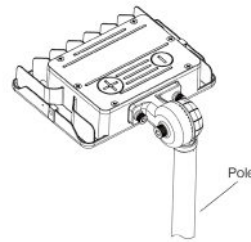


Fig. 1.5

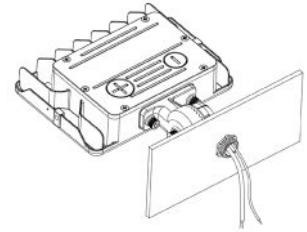


Fig. 1.6

MOUNTING

1. Remove the yoke mount that comes standard with the luminaire.
2. Install the connection bracket to the luminaire and pull the wires through the centre hole of the connection bracket (Fig. 2.1).
3. Attach the desired mount (slip fitter, multi mount, or pole mount) to the connection bracket using the bolt provided (Fig 2.2).
4. Complete wire connections in pole or junction box. Please ensure that the luminaire is wired in accordance with the National Electrical Code and applicable local codes and ordinances. Proper grounding is required to ensure personal safety.
5. Loosen the bolt and adjust the mount angle as desired and tighten the bolt to lock into place (Fig. 2.3).

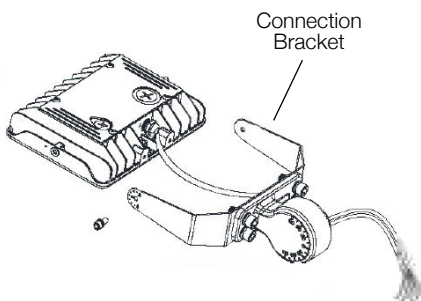


Fig. 2.1

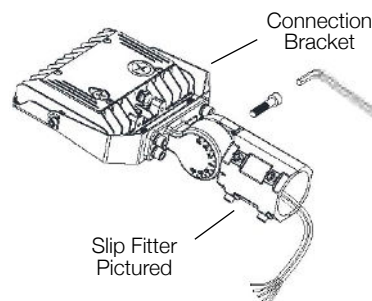


Fig. 2.2

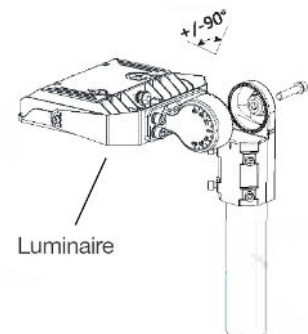


Fig. 2.3