

# 60W Round Explosion-Proof Fixture

5000K | 120-277V

Suitable for hazardous environments where flammable gases or vapours, flammable liquids, and combustible dust and/or ignitable fibers may exist. Also suited for wet locations, marine environments, and high vibration applications



UL Hazloc  
C1, D2, (Groups A,B,C,D)  
UL844, UL1598, UL 8750



Atex  
II 2 G Ex db IIC T6 Gb

IP66 Driver  
in Separate  
Compartment  
10KV surge protection

Tempered Glass Lens  
allows for soft, uniform light

Faceted Reflectors  
in each LED chip for glare  
control and beam precision



Rugged Die Cast  
Aluminum Housing

Complete with Yoke Mount

- Petrochemical  
Processing
- Mines
- Granaries
- Paint  
Booths
- Docks  
and Shipyards
- Auto Shops

Optional Wireguard  
Ordered Separately  
EXPR-WG-SM



## TECHNICAL DATA



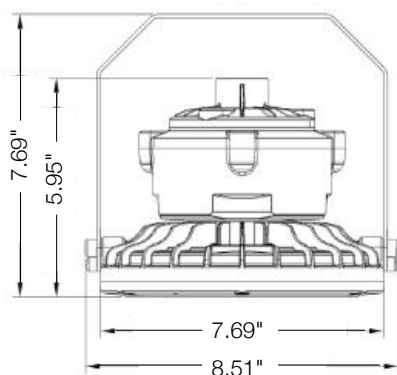
### LIGHT SPECIFICATIONS

Lumens	8,870 lm
Efficacy	130 lm/W
CCT	5000K
CRI	>80
Viewing Angle	110°
L70 Life	50,000 hrs
Dimmable	No
Warranty	5-year

### APPROVALS AND LISTINGS

cUL	E517285
-----	---------

### DIMENSIONS



### ELECTRICAL

Wattage	60W
Voltage	120-277V
Power Factor	0.96
THD	<20%
Operating Temp	-40 to 55°C

### CONSTRUCTION

Housing	Aluminum
Cover	Glass
Finish	Orange
IP Rating	IP66
Net Weight	4.16 kg
Gross Weight	8.92 kg
Carton Qty	2
Carton Dimensions	500 x 255 x 310 mm

### ACCESSORIES (Ordered Separately)

Wireguard	EXPR-WG-SM
-----------	------------



### SUGGESTED SUBSTITUTION

EXPR-100W-50K
EXPR-150W-50K