

80W Linear Explosion-Proof Fixture

5000K | 4 ft | 120-277V

Suitable for hazardous environments where flammable gases or vapours, flammable liquids, and combustible dust and/or ignitable fibers may exist. Also suited for wet locations, marine environments, and high vibration applications



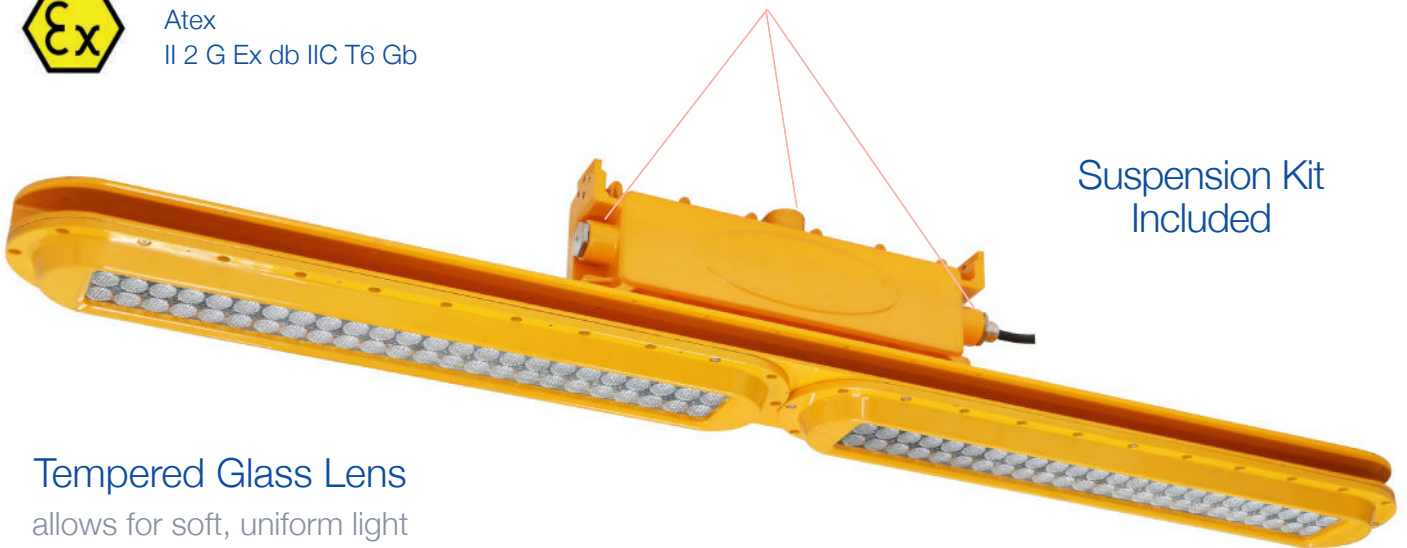
UL Hazloc
C1, D2, (Groups A,B,C,D)
UL844, UL1598, UL 8750



Atex
II 2 G Ex db IIC T6 Gb

3 x 3/4" NPT
Conduit Entry Points
for added flexibility

IP66 Driver in
Separate Compartment
10KV surge protection



Suspension Kit
Included

Tempered Glass Lens
allows for soft, uniform light

Pictured with Optional Yoke Mount
(EXPL-YK)



Faceted Reflectors
in each LED chip for glare
control and beam precision

Rugged Die Cast
Aluminum Housing



Optional Yoke Mount
Ordered Separately
EXPL-YK

TECHNICAL DATA



LIGHT SPECIFICATIONS

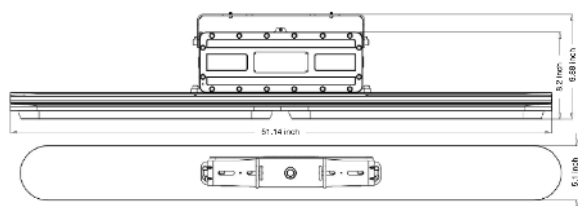
Lumens	11,202 lm
Efficacy	130 lm/W
CCT	5000K
CRI	>70
L70 Life	50,000 hrs
Dimmable	Yes
Warranty	5-year

APPROVALS AND LISTINGS

cUL	E517285
-----	---------

DIMENSIONS

(Shown with Optional Yoke Mount)



SUGGESTED SUBSTITUTION

EXPL-40W-2FT-50K



ELECTRICAL

Wattage	80W
Voltage	100-277V
Power Factor	0.91
THD	<20%
Operating Temp	-40 to 65°C

CONSTRUCTION

Housing	Aluminum
Cover	Glass
Finish	Orange
Length	4 ft
IP Rating	IP66
Net Weight	16.71 kg
Gross Weight	19.59 kg
Carton Qty	1
Carton Dimensions	1410 x 220 x 305 mm

ACCESSORIES (Ordered Separately)

Wireguard	EXPL-WG-4FT
Yoke Mount	EXPL-YK

