

WARNINGS



RISK OF FIRE, ELECTRICAL SHOCK, CUTS OR OTHER CASUALTY HAZARDS

Installation and maintenance of this product must be performed by a qualified electrician. This product must be installed in accordance with the applicable installation code by a person familiar with the construction and operation of the product and hazards involved.

RISK OF FIRE AND ELECTRIC SHOCK

Make certain power is OFF before starting installation or attempting any maintenance. Disconnect power at fuse or circuit breaker.

RISK OF FIRE

Refer to product label for specific minimum supply conductor requirements.

RISK OF BURN

Disconnect power and allow fixture to cool before handling or servicing.

RISK OF PERSONAL INJURY

Fixture may become damaged and/or unstable if not installed properly.

DISCLAIMER OF LIABILITY: CSC LED assumes no liability for damages or losses of any kind that may arise from the improper, careless, or negligent installation, handling or use of this product.

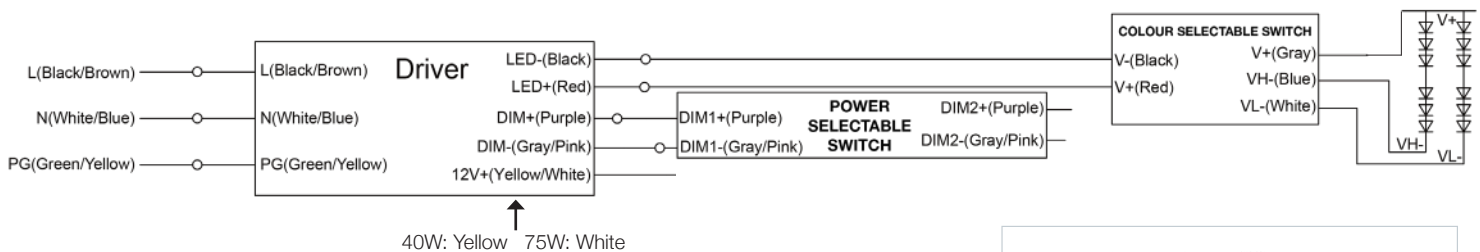
NOTICE: Green ground wire is provided in proper location. Do not relocate.

SAFETY: This fixture must be wired in accordance with the National Electrical Code and applicable local codes and ordinances. Proper grounding is required to ensure personal safety. Carefully observe grounding procedure under installation section.

APPLICATIONS: This lighting fixture is designed for indoor lighting applications, and should not be used in an area with limited ventilation or inside high ambient temperature enclosures. It must be stored in a dry location prior to installation.

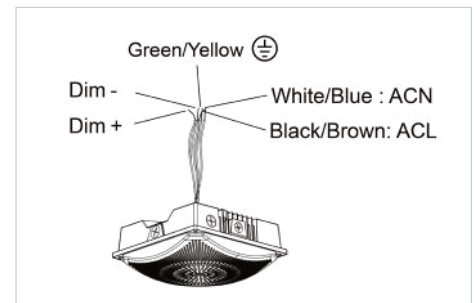
ATTENTION RECEIVING DEPARTMENT: Note actual fixture description of any shortage or noticeable damage on delivery receipt. File claim for common carrier (LTL) directly with carrier. Claims for concealed damage must be filed within 15 days of delivery. All damaged material, complete with original packaging must be retained.

WIRING DIAGRAM



Note: When the fixture is connected to an external dimmer switch, please select the highest wattage of the luminaire (40W or 75W) to get the maximum control range. Please cap the wires if not in use.

Note: Please cap the 12V and Dimming wires when not in use.



PENDANT MOUNT INSTALLATION

1. Connect the wiring of the luminaire to the local power supply (Fig 1.1). Please take note that the size of the knockout on the back plate is $\frac{3}{4}$ NPT. The power and dimming wires provided are approximately 6 Inches. Since the wires are set in silicone, the length of the wires cannot be extended.
2. Install the conduit to the luminaire and tighten it (Fig 1.2).

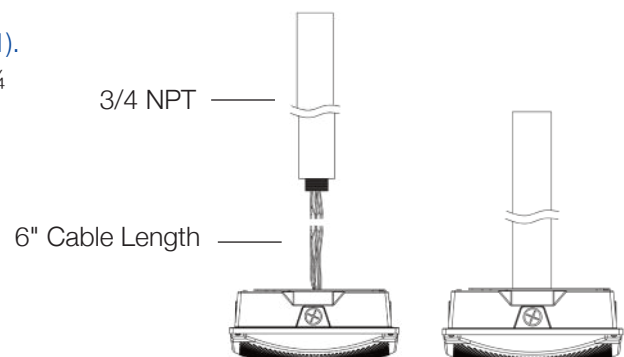


Fig. 1.1

Fig. 1.2

SURFACE MOUNT INSTALLATION

1. Loosen the screw on the side of the luminaire and remove the mounting plate at the back (Fig 2.1).
2. Drill the holes on the ceiling accordingly to fit the mounting plate (Fig 2.2).
3. Secure the mounting plate to the ceiling with the wall anchor and screws (Fig 2.3).
4. Hang the luminaire by the plate and connect the wiring of the luminaire to the local power supply (Fig 2.4).
5. Fasten the screw on the side of the luminaire (Fig 2.5).

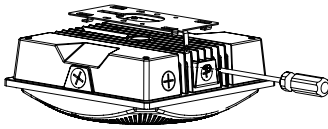


Fig. 2.1

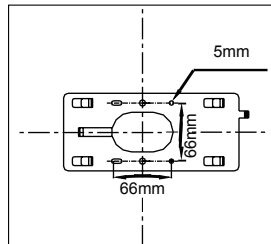
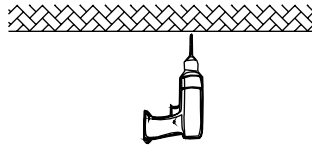


Fig. 2.2

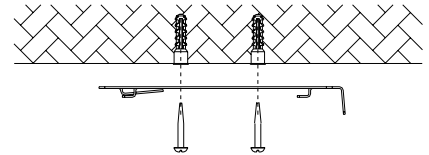


Fig. 2.3

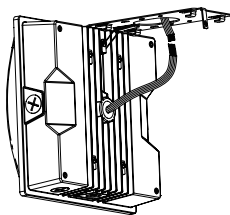


Fig. 2.4

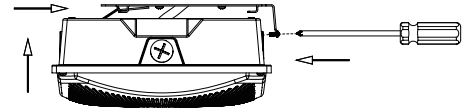


Fig. 2.5

SURFACE MOUNT CONDUIT INSTALLATION

1. Loosen the screw on the side of the luminaire and remove the mounting plate at the back (Fig 3.1).
2. Drill the holes on the ceiling accordingly to fit the mounting plate (Fig 3.2).
3. Secure the mounting plate to the ceiling with the wall anchor and screws (Fig 3.3).
4. Hang the luminaire by the plate and connect the wiring of the luminaire to the local power supply (Fig 3.4). Please take note that the size of the knockout on the back plate is $\frac{3}{4}$ NPT. The power and dimming wires provided are approximately 6 inches. Since the wires are set in silicone, the length of the wires cannot be extended.
5. Install the conduit to the luminaire and tighten it (Fig 3.5).
6. Fasten the screw on the side of the luminaire (Fig 3.6).
7. Alternatively, there are knockouts on the sides of the luminaire (Fig 3.7 and Fig 3.8). The luminaire can be rotated to accommodate the straight runs of conduit.

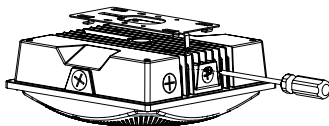


Fig. 3.1

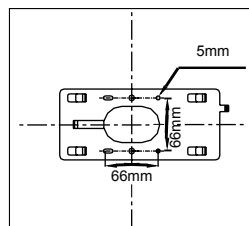
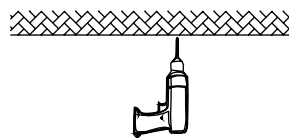


Fig. 3.2

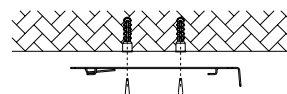


Fig. 3.3

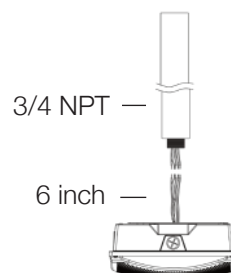


Fig. 3.4

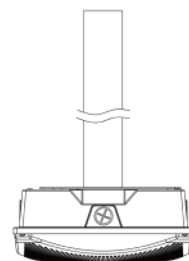


Fig. 3.5

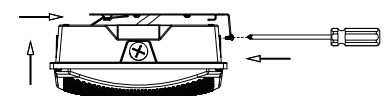
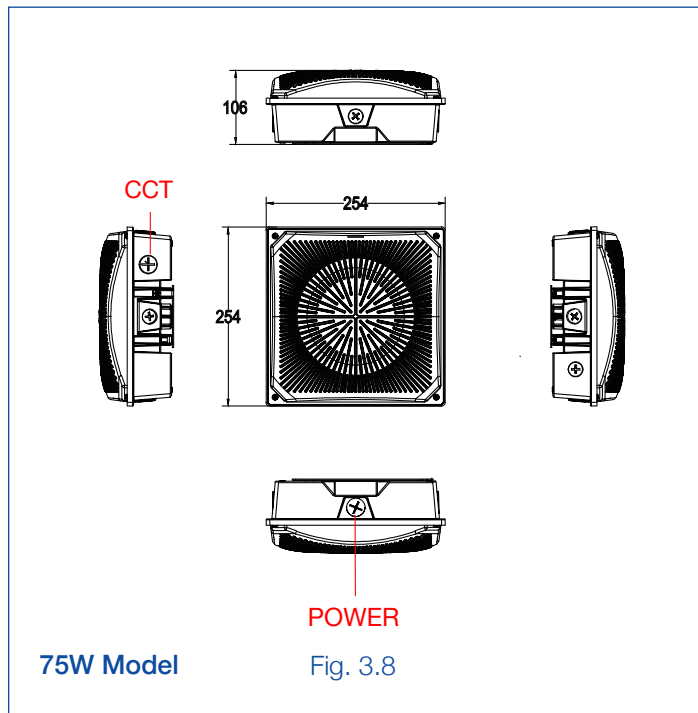
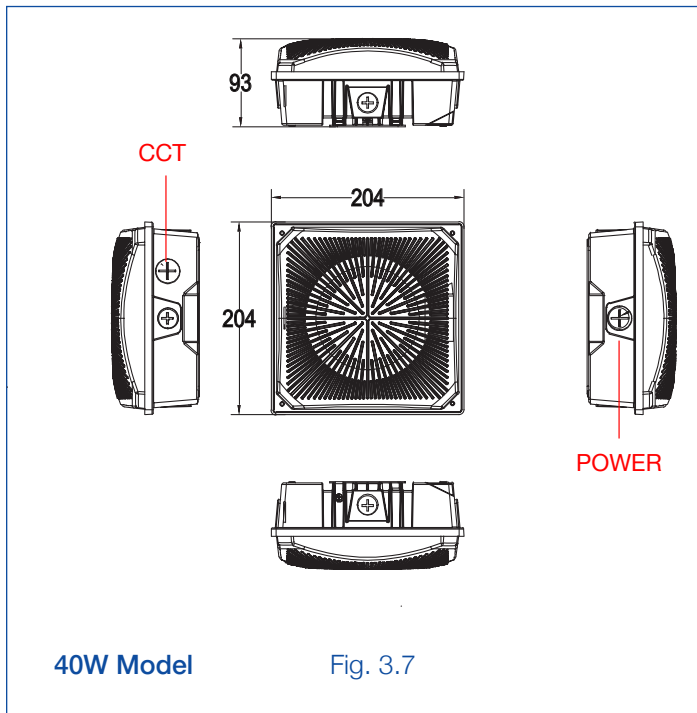


Fig. 3.6



DIP SWITCH INSTRUCTIONS

1. Use a screwdriver to remove the plug (Fig 4.1).
2. Select the desired power (Fig 4.1) and colour temperature settings (Fig. 4.2) using the switch.

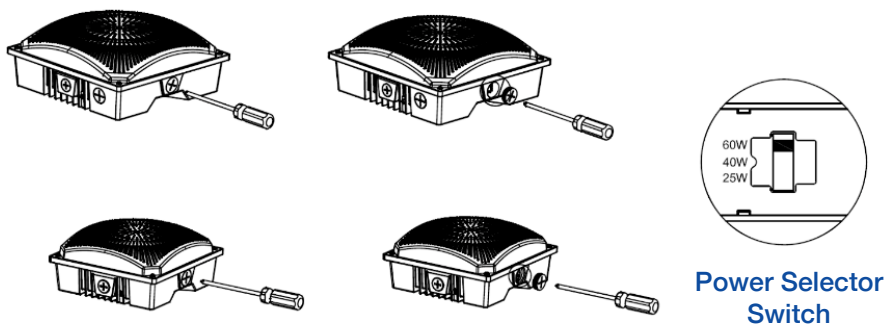


Fig. 4.1

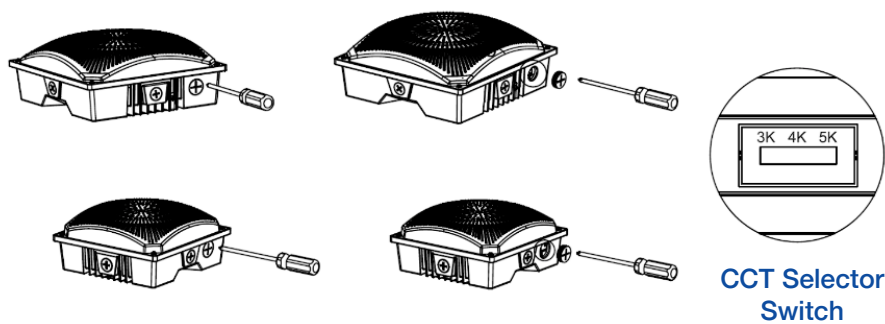


Fig. 4.2

CSCLED

Questions or Concerns?
We are happy to help!

Email Us: info@csc-led.com
Call Us: 1-888-900-9885