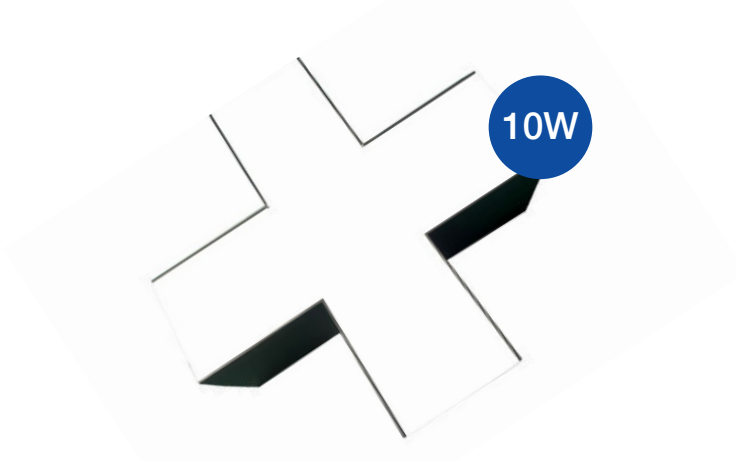



Backlit Connectors

For use with Architectural Linear Strips


Each Backlit Connector features a polycarbonate lens, white aluminum housing, and is individually powered for a seamless lighting design

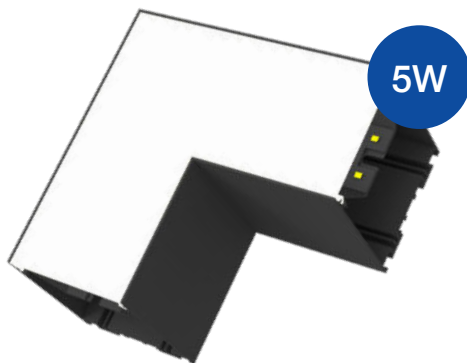
NOTE: Connector Kits (**AL-C-KIT-BK**) are required to attach Backlit Connector joints and row mounting fixtures




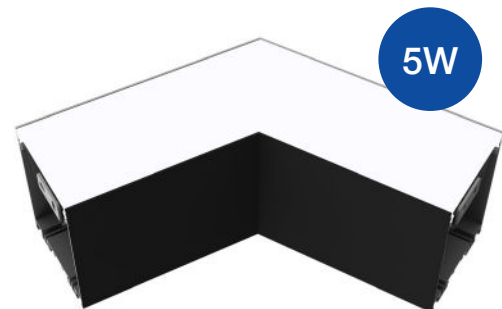
 X Connector
AL-X-CON-BK
Required: 4 x AL-C-KIT-BK



 T Connector
AL-T-CON-BK
Required: 3 x AL-C-KIT-BK

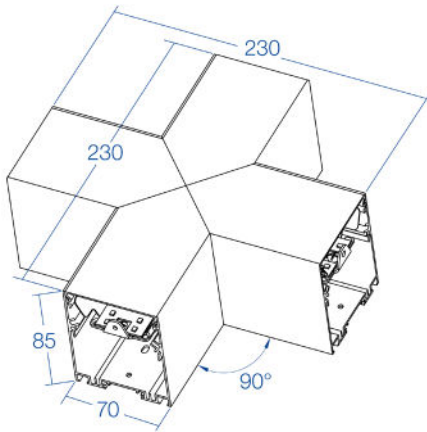


 90° Connector
AL-L-CON-BK
Required: 2 x AL-C-KIT-BK

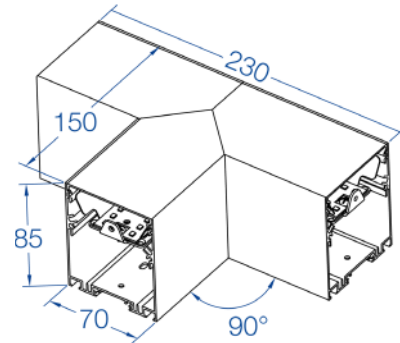


 120° Connector
AL-120-CON-BK
Required: 2 x AL-C-KIT-BK

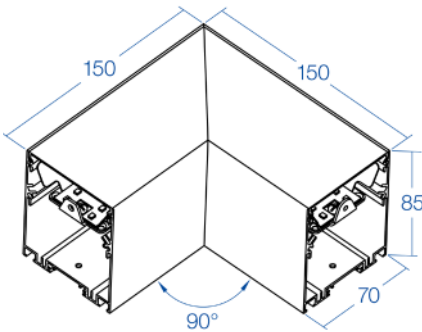
DIMENSIONAL DRAWINGS



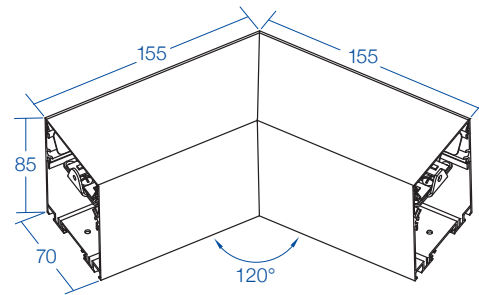
AL-X-CON-BK



AL-T-CON-BK



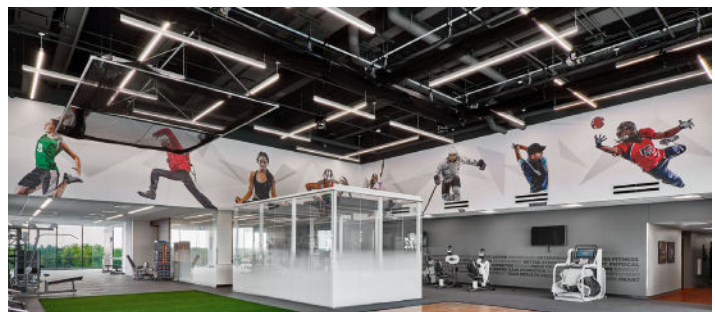
AL-L-CON-BK



AL-120-CON-BK



Each backlit connector includes LED light engine for a seamless lighting design
(shown in white)



HEAD OFFICE: 8 - 540 Jamieson Pkwy, Cambridge, ON, N3C 0G5 | orders@csc-led.com | (519) 880 - 9833