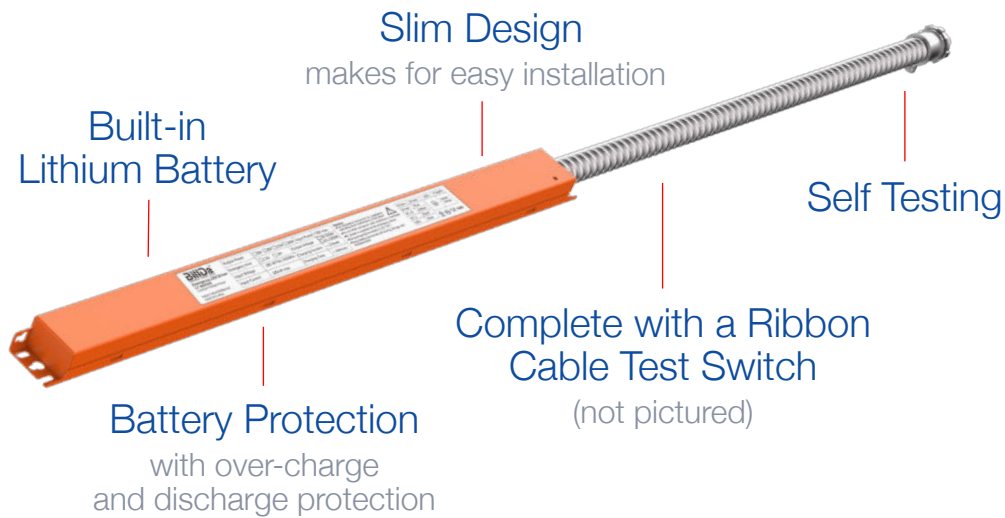


Emergency LED Driver

8W Input | 120-347V

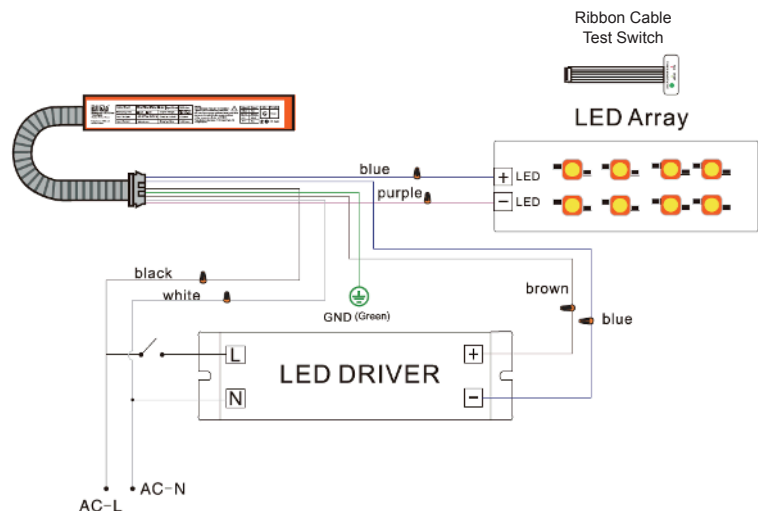
Suitable for use in LED Troffer and Panel lights



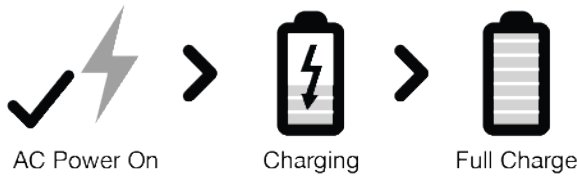
SPECIFICATIONS

Output Power	8W
Output Voltage	30-60VDC
Input Voltage	120-347V
Input Current	≤100mA
Frequency	50/60Hz
Efficiency	80%
IP Rating	IP20
Short Circuit Protection	YES
Over Voltage Protection	YES
Over Heating Protection	YES
Dimensions	2.5 x 1.2 x 0.8 in

WIRING DIAGRAM



OPERATING INSTRUCTIONS



AC Operation:

When AC power is present the LED load is supplied by the primary LED driver. LED driver current output cannot exceed 150W or 4A. During normal AC operation, the emergency LED driver will either be charging (green LED flashing) or in stand-by mode (green LED continuously on). Once a month the emergency LED driver will enter a self-test mode for 30 seconds and then return to normal

operation. Once annually, the emergency LED driver will run a full cycle of discharge and recharge.

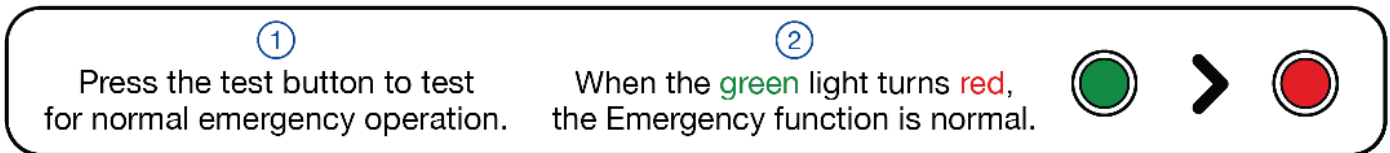
Emergency Operation:

When AC power is lost, the emergency LED driver detects the power outage and automatically switches to emergency mode until normal AC operation has resumed.

INDICATOR LIGHTS



TEST SWITCH



WARNING. READ AND FOLLOW ALL SAFETY INSTRUCTIONS.

Risk of fire or electric shock. Luminaire wiring and electrical components may be damaged when installing the emergency LED driver. Check for enclosed wiring and components prior to drilling any mounting holes into the fixture. Installation and maintenance of this product must be performed by a qualified electrician. This product must be installed in accordance with the applicable installation code by a person familiar with the construction and operation of the product and the hazards involved.

Make certain power is OFF before starting installation or attempting any maintenance. Disconnect power at fuse or circuit breaker.

To prevent electrical shock, only mate unit connector after installation is complete and before the AC power is returned to the fixture. This LED Emergency Backup unit required an un-switched AC power source of 120-347V, 50/60Hz. The AC driver must be on the same branch circuit as the LED Emergency Backup Unit. Do not let power supply cords touch hot surfaces.

The use of accessory equipment not recommended by the manufacturer may cause an unsafe condition. Do not use this equipment for anything other than its intended purpose. For use only with grounded, UL listed dry or damp location-rated fixtures.