

## WARNINGS



### RISK OF FIRE, ELECTRICAL SHOCK, CUTS OR OTHER CASUALTY HAZARDS

Installation and maintenance of this product must be performed by a qualified electrician. This product must be installed in accordance with the applicable installation code by a person familiar with the construction and operation of the product and hazards involved.

### RISK OF FIRE AND ELECTRIC SHOCK

Make certain power is OFF before starting installation or attempting any maintenance. Disconnect power at fuse or circuit breaker.

### RISK OF FIRE

Refer to product label for specific minimum supply conductor requirements.

### RISK OF BURN

Disconnect power and allow fixture to cool before handling or servicing.

### RISK OF PERSONAL INJURY

Fixture may become damaged and/or unstable if not installed properly.

**DISCLAIMER OF LIABILITY:** CSC LED assumes no liability for damages or losses of any kind that may arise from the improper, careless, or negligent installation, handling or use of this product.

**NOTICE:** Green ground wire provided in proper location. Do not relocate.

**SAFETY:** This fixture must be wired in accordance with the National Electrical Code and applicable local codes and ordinances. Proper grounding is required to insure personal safety. Carefully observe grounding procedure under installation section.

**APPLICATIONS:** This lighting fixture is designed for outdoor lighting services, and should not be used in area of limited ventilation or inside high ambient temperature enclosures. It must be stored in a dry location prior to installation. Do not expose lighting fixture to rain, dust or other environmental conditions prior to installation and insertion of photo control or shorting cap (if so equipped). Best results will be obtained if installed and maintained according to the following recommendations.

**ATTENTION RECEIVING DEPARTMENT:** Note actual fixture description of any shortage or noticeable damage on delivery receipt. File claim for common carrier (LTL) directly with carrier. Claims for concealed damage must be filed within 15 days of delivery. All damaged material, complete with original packing must be retained.

## INSTALLATION INSTRUCTIONS

1. Fit the 3 pieces of L shaped M8 screws into the holes of the plate (Fig. 1), leave 1.77" of the screws above the plate. (Fig. 1.2)
2. Pour the cement over the plate to form a concrete column. (Fig. 2) The recommended cement column size is 9.84" x 9.84" x 11.81" (Fig. 2.1)

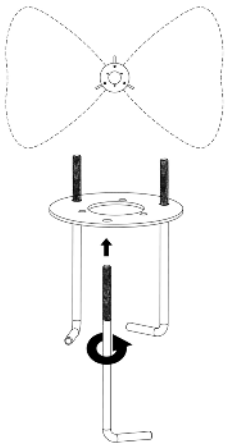


Fig. 1

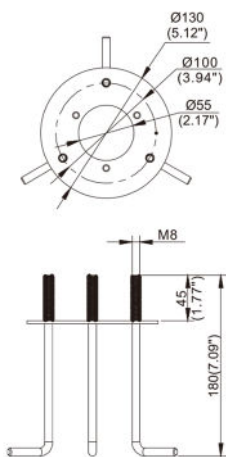
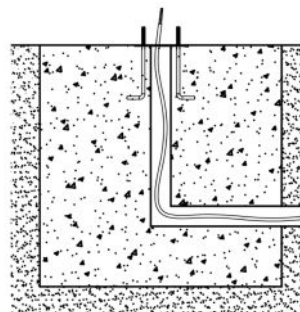


Fig. 1.1



Hole Diameter:  
Ø30-55mm  
(Ø1.18"-2.17")

Fig. 2

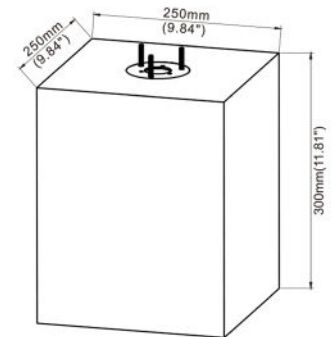


Fig. 2.1

See reverse for remaining figures

## INSTALLATION INSTRUCTIONS

3. Remove the bottom of the base and insert it onto the plate on the concrete. Tighten the M8 nuts to the L screws. The recommended torque value is  $\sim 8\text{Nm}$ . Take note of the notch position. (Fig. 3)
4. Install the lamp head to the base and secure with 2 M5 screws. The recommended torque value is  $\sim 2.5\text{Nm}$ . (Fig. 4)
5. Pull the wires through the base and add extension cable if necessary. (Fig. 5)
6. Align the screw holes to the notch mark. (Fig. 6)
7. Tighten the base to the bottom of the base with 3 M5 screws. The recommended torque value is  $2.5\text{Nm}$ . (Fig. 7)

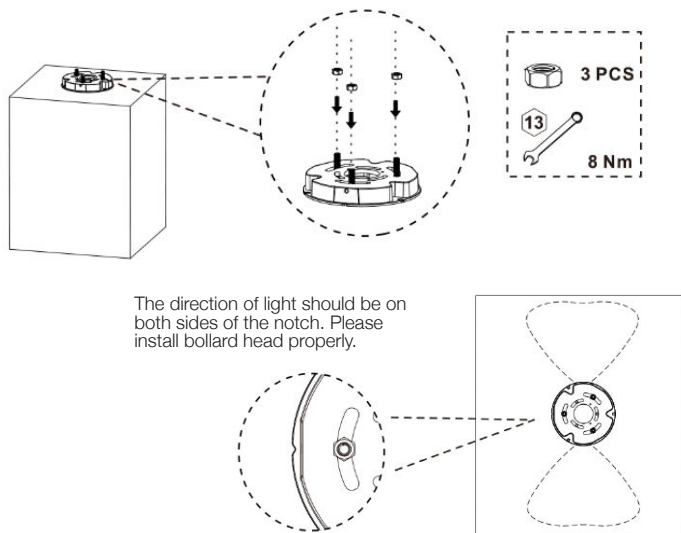


Fig. 3

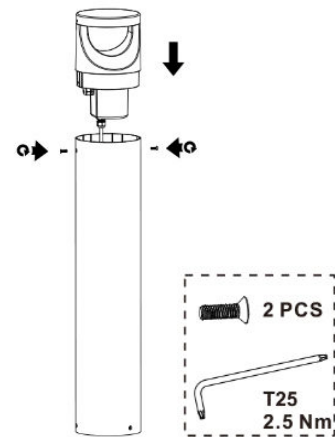


Fig. 4



Fig. 5

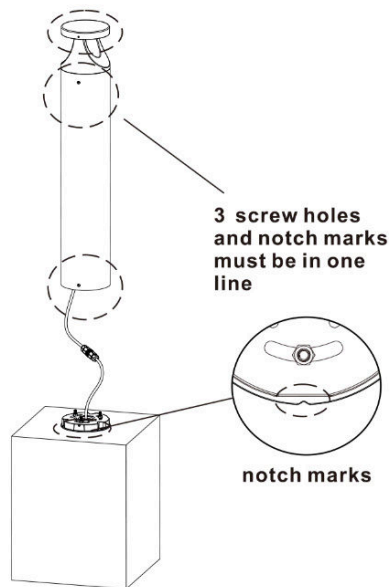


Fig. 6

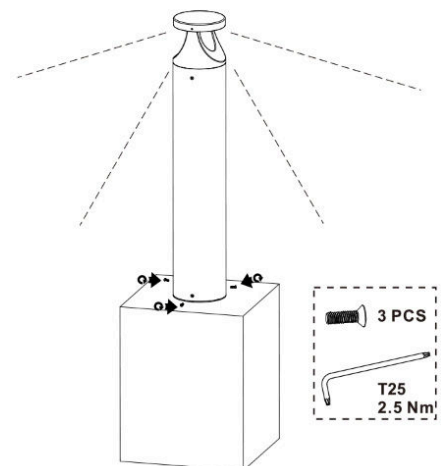


Fig. 7