

## WARNINGS



### RISK OF FIRE, ELECTRICAL SHOCK, CUTS OR OTHER CASUALTY HAZARDS

Installation and maintenance of this product must be performed by a qualified electrician. This product must be installed in accordance with the applicable installation code by a person familiar with the construction and operation of the product and hazards involved.

### RISK OF FIRE AND ELECTRIC SHOCK

Make certain power is OFF before starting installation or attempting any maintenance. Disconnect power at fuse or circuit breaker.

### RISK OF FIRE

Refer to product label for specific minimum supply conductor requirements.

### RISK OF BURN

Disconnect power and allow fixture to cool before handling or servicing.

### RISK OF PERSONAL INJURY

Fixture may become damaged and/or unstable if not installed properly.

**DISCLAIMER OF LIABILITY:** CSC LED assumes no liability for damages or losses of any kind that may arise from the improper, careless, or negligent installation, handling or use of this product.

**NOTICE:** Green ground wire provided in proper location. Do not relocate.

**SAFETY:** This fixture must be wired in accordance with the National Electrical Code and applicable local codes and ordinances. Proper grounding is required to insure personal safety. Carefully observe grounding procedure under installation section.

**APPLICATIONS:** This lighting fixture is designed for outdoor lighting services, and should not be used in area of limited ventilation or inside high ambient temperature enclosures. It must be stored in a dry location prior to installation. Do not expose lighting fixture to rain, dust or other environmental conditions prior to installation and insertion of photo control or shorting cap (if so equipped). Best results will be obtained if installed and maintained according to the following recommendations.

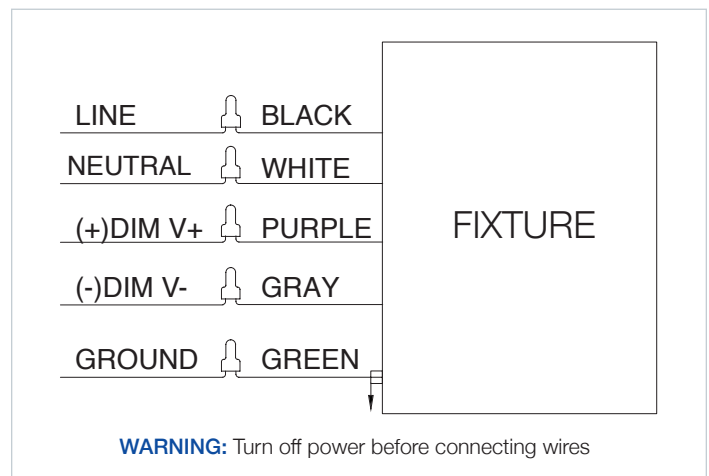
**ATTENTION RECEIVING DEPARTMENT:** Note actual fixture description of any shortage or noticeable damage on delivery receipt. File claim for common carrier (LTL) directly with carrier. Claims for concealed damage must be filed within 15 days of delivery. All damaged material, complete with original packing must be retained.

## WIRING INSTRUCTIONS

Black wire connects to LINE, White wire connects to NEUTRAL, Green wire connects to GROUND. Secure each wire pair with a wire nut.

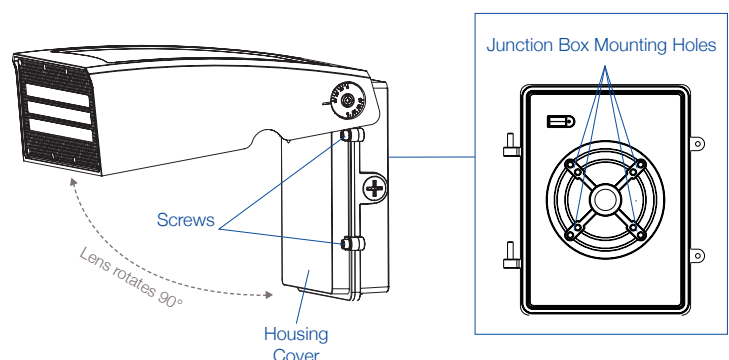
For 0-10V dimming, the wiring direction is as follows:

1. Turn off the power.
2. Connect the BLACK wire to LINE.
3. Connect the WHITE wire to NEUTRAL.
4. Connect the GREEN wire to GROUND. **CAUTION:** Do not connect the GRAY (-) DIM V- wire to GROUND.
5. Connect the PURPLE wire to (V+) DIM.
6. Connect the GRAY wire to (V-) DIM.



## INSTALLATION INSTRUCTIONS

1. Loosen the 2 screws on the right hand side of the housing cover with the Philips screwdriver.
2. Attach the light fixture to the junction box or mounting surface. Ensure that the junction box size and junction box mounting provisions are compatible with the light fixture.
3. Connect the appropriate wires to the light fixture wires as given in the wiring instruction.
4. Close the housing cover and tighten both screws. Ensure that nothing is trapped in the gasket.
5. Add a bead of silicone between fixture base and wall to prevent any possible water ingress to fixture driver box.  
**Failure to do so may void warranty.**



## WATTAGE TUNABLE SWITCH

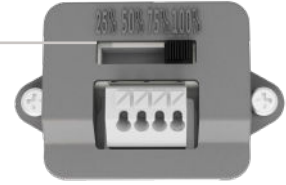
Only applicable to wattage tunable models

Original Wattage	DIP Position	Input Wattage
40W	100%	40W
	75%	30W
	50%	20W
	25%	10W

Original Wattage	DIP Position	Input Wattage
80W	100%	80W
	75%	70W
	50%	60W
	25%	50W

Original Wattage	DIP Position	Input Wattage
120W	100%	120W
	75%	100W
	50%	80W
	25%	60W

Slide the switch left or right to select the desired wattage



## CCT TUNABLE SWITCH

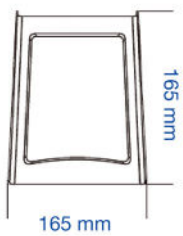
Only applicable to colour tunable models

DIP Position	Colour Temperature
Left	5000K
Middle	4000K
Right	3000K

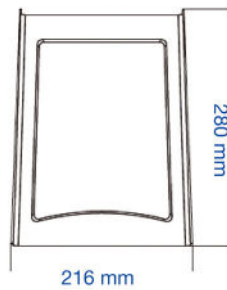
Slide the switch left or right to select the desired colour temperature



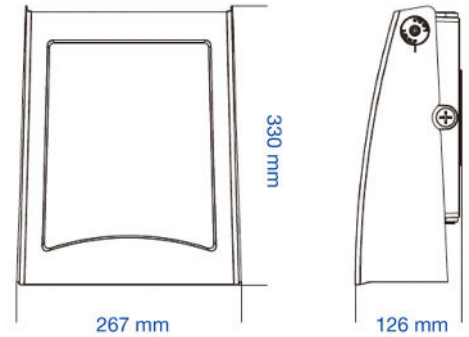
## DIMENSIONAL DRAWINGS



40W



80W



120W