

MILANO WS9815

WALL

PROJECT



WS9815-BG
Brushed Gold



WS9815-BN
Brushed Nickel



WS9815-CH
Chrome

SPECIFICATION DETAILS

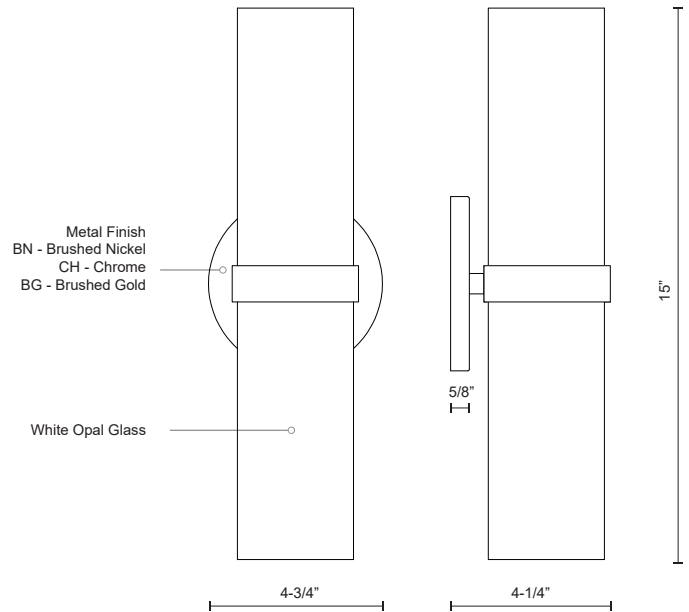
Fixture Dimensions	W4-3/4" x H15" x E4-1/4"
Light Source	AC LED Module
Wattage	17W
Total Lumens	1200lm
Delivered Lumens	BN-837lm; CH-796lm;
Voltage	120V
Color Temperature	3000K
CRI (Ra)	90CRI
Optional Color Temps	2700K - 5000K Available, Minimum Order Quantities Apply
LED Rated Life	50,000 hours
Dimming	100% - 10%, ELV Dimmer (Not Included)
Glass Details	Opal Glass
Location	Dry
Mounting Style	Up Only; Wall;
CEC Title 24 JA8	Yes, JA8-2022
Energy Star Certified	Energy Star Compliant
Canopy Dimensions	D4-3/4" x E5/8"
Paint Finish	BG01; BN01; CH01;

* For custom options, consult factory for details.

* For warranty information, please visit www.kuzcolighting.com/warranty

DESCRIPTION

A sleek cylinder 15 inches long conceals the LED light source allowing for an even light distribution, like a scroll of paper that glows with mystery inside. There are no hotspots in this wall sconce, only an ambient glow. The opal glass is attached by a ring of brushed nickel, chrome, or brushed gold around the middle and affixed to the wall by a matching metal disk.



KUZCO

CANADA: 19054 28TH AVENUE - SURREY, BC V3Z 6M3
USA: 3035 E. LONE MOUNTAIN ROAD - LAS VEGAS, NV 89081

WWW.KUZCOLIGHTING.COM

© 2017 KUZCO LIGHTING. ALL RIGHTS RESERVED.

COMMENT

