

# NEPAL WS84218

WALL

PROJECT



## SPECIFICATION DETAILS

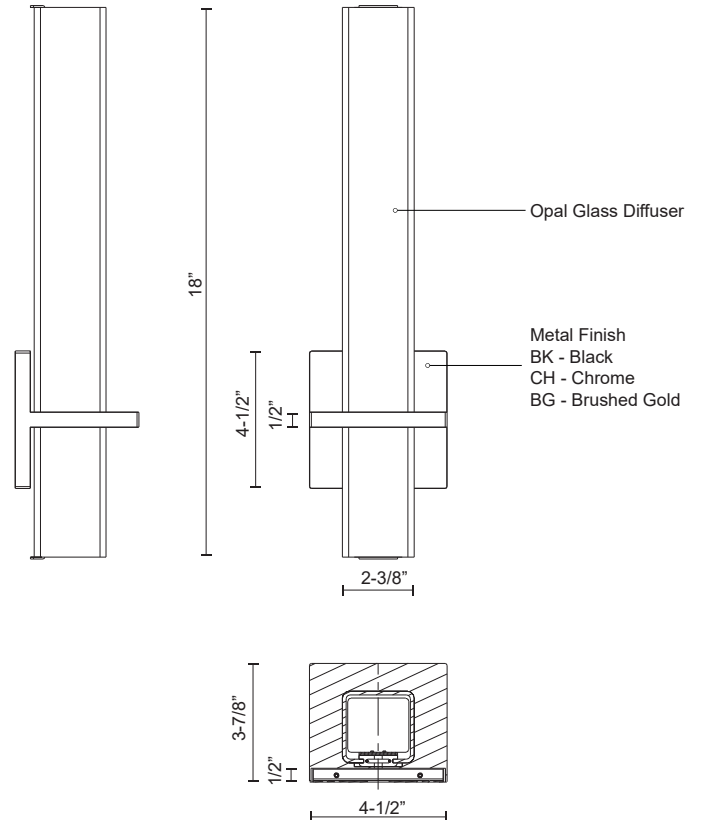
<b>Fixture Dimensions</b>	W2-3/8" x H18" x E3-7/8"
<b>Light Source</b>	AC LED Module
<b>Wattage</b>	18W
<b>Total Lumens</b>	1200lm
<b>Delivered Lumens</b>	CH-885lm
<b>Voltage</b>	120V
<b>Color Temperature</b>	3000K
<b>CRI (Ra)</b>	90CRI
<b>Optional Color Temps</b>	2700K - 5000K Available, Minimum Order Quantities Apply
<b>LED Rated Life</b>	50,000 hours
<b>Dimming</b>	100% - 10%, ELV Dimmer (Not Included)
<b>Glass Details</b>	Opal Glass
<b>Location</b>	Dry
<b>Mounting Style</b>	All Orientation; Wall;
<b>ADA Compliant</b>	Yes
<b>CEC Title 24 JA8</b>	Yes, JA8-2022
<b>Canopy Dimensions</b>	W4-1/2"x H4-1/2"x E1/2"
<b>Paint Finish</b>	BG01; BK01; CH01;

\* For custom options, consult factory for details.

\* For warranty information, please visit [www.kuzcolighting.com/warranty](http://www.kuzcolighting.com/warranty)

## DESCRIPTION

Round or square plated or painted steel frame and wall plate. Rectilinear opal glass diffuser. Outward emitting wall light. Custom options available.



# KUZCO

CANADA: 19054 28TH AVENUE - SURREY, BC V3Z 6M3

USA: 3035 E. LONE MOUNTAIN ROAD - LAS VEGAS, NV 89081

[WWW.KUZCOLIGHTING.COM](http://WWW.KUZCOLIGHTING.COM)

© 2019 KUZCO LIGHTING. ALL RIGHTS RESERVED.

## COMMENT

