

Par 20 Track Cylinder

Model No. TLPR20-WH

Project Details	
Job Name	<input type="text"/>
Location	<input type="text"/>
Type/Qty	<input type="text"/>
Contact Info	<input type="text"/>
Note	<input type="text"/>

Features

- Directional light source providing 90° vertical aiming capability with 180° horizontal rotation
- Bulb: Par 20 50W (max.) - Not Included
- Re-lamps from the front
- Removable Black baffle
- Dimmer compatible
- Ceramic 120V E26 socket
- LED compatible
- Available Finishes: Black (BLK), Brushed Steel (BST), White (WH)

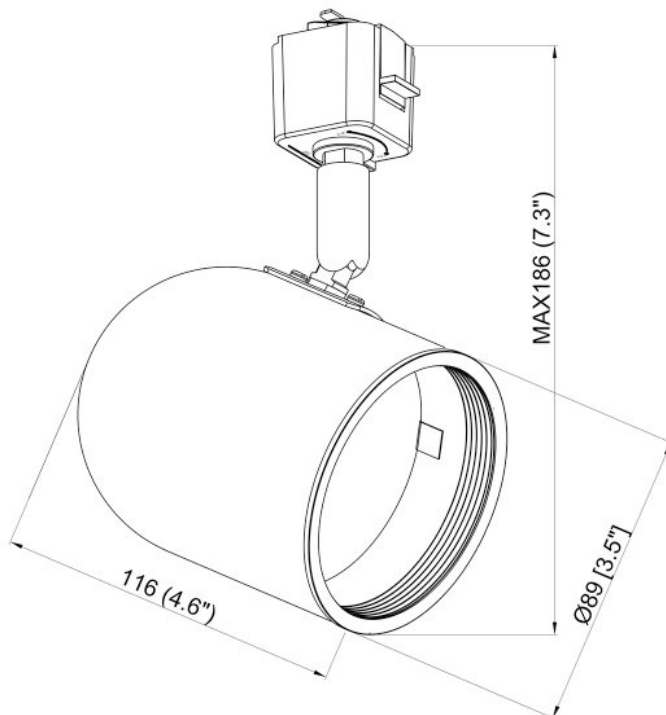
SPECIFICATION	
OAH (in.)	8
Overall Width (in.)	3.5
OA Depth (in.)	4.75
Bulb	Par 20
Max. wattage (W)	50
Number of Bulbs	1
Bulb included	No
Dimmable	Yes
Voltage	120V AC 60Hz
Certifications and Listings	ETL Listed
Warranty	1 Year

LED Info



Description

Line Voltage round back track cylinder in a White finish for use with Par 20 Lamps



KENDAL Lighting (BC) Inc.

#110, 6780 Dennett Place Delta, B.C. V4G 1N4 Ph: (604) 952-5510 · Toll Free: 1-888-306-3267

info@kendallighting.com www.kendallighting.com